

**MARVIK 2 (MV-30011)**



**Product description**

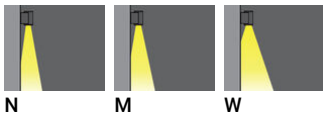
Ø100 - 220 mm - Down



**Luminaire Structure**

- Die-cast aluminium housing and frame
- Pre-treated before powder coating ensuring high corrosion resistance
- Single cable entry
- Stainless steel fasteners in grade 304 with zinc flake coating (ZFC)
- Durable silicone rubber gasket
- High-efficiency optical reflector
- Clear toughened glass
- Integral control gear
- Optional surface mounting box for easy wiring or conduit connection when wiring from behind is not possible
- MARVIK luminaires with uplight and colder than 3000K CCT do not meet the IDA certification requirements

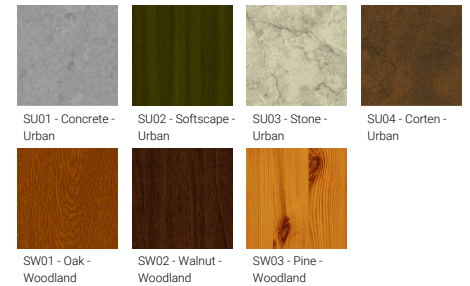
**Optic**



**Product colour**



**Special finishes upon request**



**MARVIK 2 (MV-30011)**

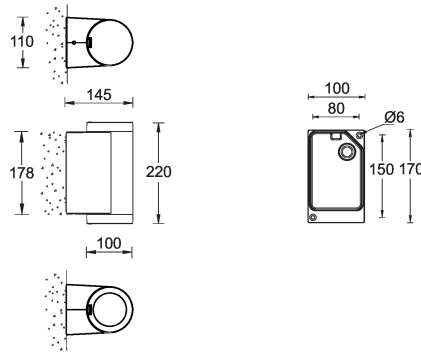
**Technical information**

<b>Material</b>	Aluminium
<b>Light source</b>	1 COB
<b>Power</b>	20 W
<b>Lumen</b>	2088 - 2422 lm
<b>Efficacy</b>	104 - 121 lm/W
<b>Driver option</b>	Integral control gear
<b>Driver</b>	Constant current (CC)
<b>Input voltage</b>	220-240 V 50/60 Hz

<b>Optic</b>	N, M, W
<b>Optic value</b>	13°, 23°, 43°
<b>CCT / CRI</b>	2700K CRI80, 3000K CRI80, 4000K CRI80
<b>Bug</b>	B2-U0-G0, B3-U0-G0
<b>ULR</b>	<1%
<b>ULOR</b>	<1%
<b>CIE flux code n°3</b>	100
<b>Dimming type</b>	On/Off, 1-10V, DALI

<b>Product colours</b>	Black, Dark Grey, White, Matt Silver, Bronze, Concrete - Urban, Softscape - Urban, Stone - Urban, Corten - Urban, Oak - Woodland, Walnut - Woodland, Pine - Woodland
<b>Weight</b>	2.6 kg
<b>Operating temperature</b>	-20 °C to 40 °C
<b>Through wiring</b>	Single cable entry
<b>Lens / Reflector / Optic</b>	High-efficiency optical reflector, Clear toughened glass
<b>Variants (On/Off, 1-10V, DALI)</b>	Compatible with EN/ IEC 60598-2-22: Suitable for emergency installations as central supply, non-maintained (Z0)

MV-30011



**MARVIK 2 (MV-30011)****Accessory**

---



---

Surface mounting box for easy  
cabling (MARVIK 2)  
**SCE-MARVIK-2**

---



---

DALI Control System  
**Control-DALI**

---