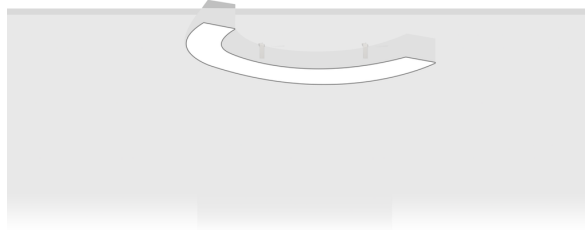


OULU 1 (OUL-80023)



Product description

Down - 180° - R750 - RGBW

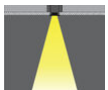


microPrim™

Luminaire Structure

- Extruded aluminium bended profile with powder coating
- Passive thermal management
- Stainless steel fasteners in grade 304 with zinc flake coating (ZFC)
- Opal PMMA diffuser (UGR <19) for glare control
- Integral control gear
- Stainless steel brackets and screws for mounting
- Down light distribution only
- Wireless control available through Bluetooth connection
- Daylight and occupancy sensor options

Optic



0

Product colour



01 - Black (RAL 9011) 03 - White (RAL 9003) 05 - Matt Silver (RAL 9006)

Special finishes upon request



SU01 - Concrete - Urban SU02 - Softscape - Urban SU03 - Stone - Urban SU04 - Corten - Urban



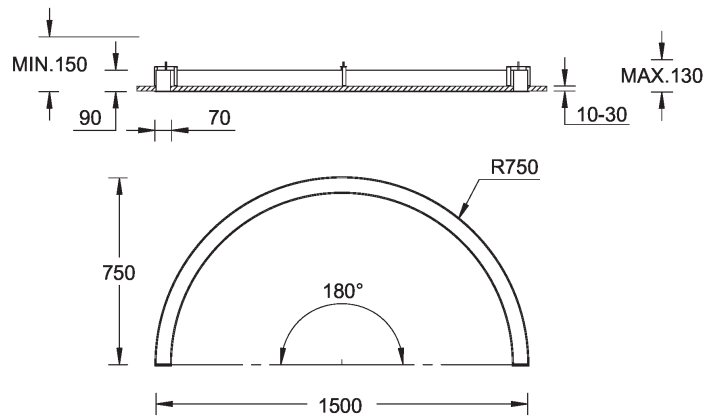
SW01 - Oak - Woodland SW02 - Walnut - Woodland SW03 - Pine - Woodland

OULU 1 (OUL-80023)

Technical information

Material	Aluminium	Driver	Constant current (CC)	Product colours	Black, White, Matt Silver, Concrete - Urban, Softscape - Urban, Stone - Urban, Corten - Urban, Oak - Woodland, Walnut - Woodland, Pine - Woodland
Light source	768 LED	Input voltage	220-240 V 50/60 Hz	Weight	5.8 kg
Power	43 W	Optic	0	Operating temperature	-20 °C to 40 °C
Lumen	1434 lm	Optic value	Opal	Variants (Bluetooth)	Compatible with EN/ IEC 60598-2-22: Suitable for emergency installations as central supply, non-maintained (Z0)
Efficacy	33 lm/W	CCT / CRI	RGBW40		
Driver option	Integral control gear	Dimming type	Bluetooth		

OUL-80023



OULU 1 (OUL-80023)**Accessory**



Continuous-coupler bracket
A81781



Xpress wireless switch
A90591



DALI Control System
Control-DALI
