

BENTON 13 (BE-20051)



Product description

Ø225 mm - 1 projector - Supplied with specific 2.5 m cylindrical, straight aluminium pole: APD125225-BE-20051

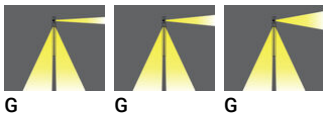


microPrim™

Luminaire Structure

- Die-cast aluminium housing
- Extruded aluminium column
- Pre-treated before powder coating ensuring high corrosion resistance
- Single cable entry
- One IP68 connector supplied with 0.2 m of 3x1.0 sqmm outdoor cable
- Stainless steel fasteners in grade 304 with zinc flake coating (ZFC)
- Durable silicone rubber gasket
- Clear toughened glass
- High-efficiency polycarbonate lens
- Integral control gear
- Maximum wind load resistance is 160 km/h
- Surge protection 10kV
- BENTON luminaires with projectors on top and colder than 3000K CCT do not meet the IDA certification requirements
- BENTON 3 and 11 are not available in European Union

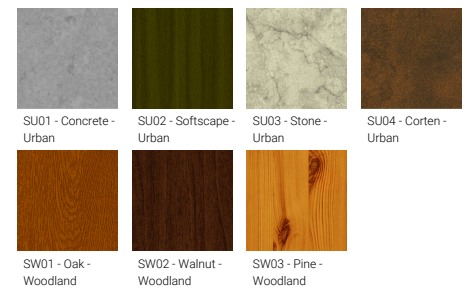
Optic



Product colour



Special finishes upon request



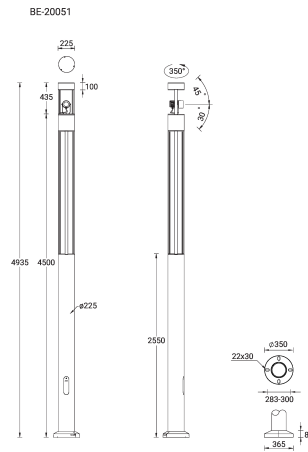
BENTON 13 (BE-20051)

Technical information

Material	Aluminium
Light source	1 & 1 COB (Projectors)
Power	61 W
Lumen	4083 - 4373 lm
Efficacy	68 - 73 lm/W
Driver option	Integral control gear
Driver	Constant current (CC)
Input voltage	220-240 V 50/60 Hz

Optic	G
Optic value	133°
CCT / CRI	3000K CRI80, 4000K CRI80
Dimming type	On/Off, 1-10V, DALI
Product colours	Black, Dark Grey, White, Matt Silver, Bronze, Concrete - Urban, Softscape - Urban, Stone - Urban, Corten - Urban, Oak - Woodland, Walnut - Woodland, Pine - Woodland
Weight	37.4 kg
Operating temperature	-20 °C to 40 °C
EPA (m2)	0.798

Cable	One IP68 connector supplied with 0.2 m of 3x1.0 sqmm outdoor cable
Through wiring	Single cable entry
Lens / Reflector / Optic	Clear toughened glass, High-efficiency polycarbonate lens
MacAdam Ellipse	3 SDCM
Lifetime L90B10 (hours)	> 50,700
Lifetime L80B10 (hours)	> 63,500
Lifetime L80B50 (hours)	> 63,500
Variants (On/Off, 1-10V, DALI)	Compatible with EN/ IEC 60598-2-22: Suitable for emergency installations as central supply, non-maintained (Z0)



BENTON 13 (BE-20051)**Accessory**



Circuit breaker box IP44
A21291



Root mount kit
A20791



DALI Control System
Control-DALI

Pole (required)



2.5 m - Cylindrical, straight
aluminium pole for BENTON
APD125225-BE-20051