

GANDALF 25 (GA-90252)



Product description

2 sides



microVos microPrim™

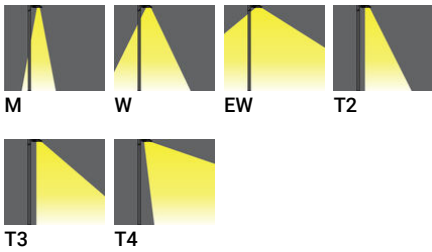
Luminaire Structure

- Die-cast aluminium housing
- Pre-treated before powder coating ensuring high corrosion resistance
- Single cable entry
- One cable gland supplied with 0.5 m of 3x1.0 sqmm outdoor cable

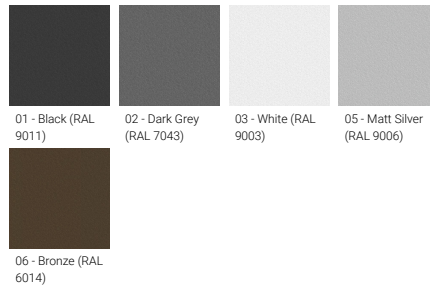
- Stainless steel fasteners in grade 304 with zinc flake coating (ZFC)
- Durable silicone rubber gasket
- Clear toughened glass
- High-efficiency polycarbonate lens

- Integral control gear
- Surge protection 10kV

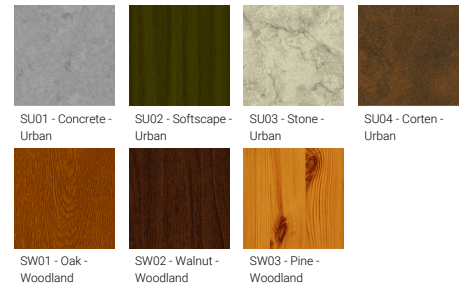
Optic



Product colour



Special finishes upon request

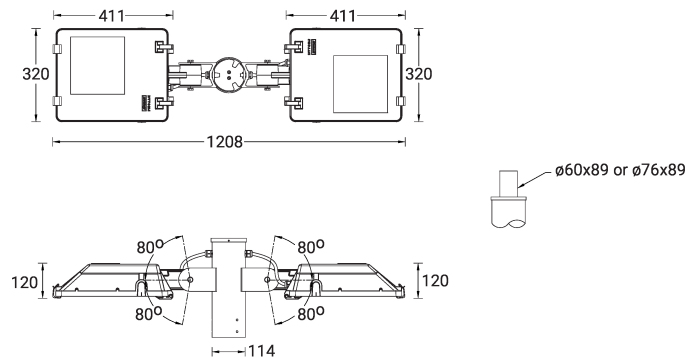


GANDALF 25 (GA-90252)

Technical information

Material	Aluminium	CCT / CRI	3000K CRI80, 4000K CRI80	Cable	One cable gland supplied with 0.5 m of 3x1.0 sqmm outdoor cable
Light source	2 x 48 LED	Bug	B1-U0-G1, B2-U0-G0, B2-U0-G2, B3-U0-G0, B3-U0-G1	Through wiring	Single cable entry
Power	106 W	ULR	<1%	Lens / Reflector / Optic	Clear toughened glass, High-efficiency polycarbonate lens
Lumen	12252 - 14054 lm	ULOR	<1%	MacAdam Ellipse	3 SDCM
Efficacy	116 - 133 lm/W	CIE flux code n°3	97, 98, 99	Lifetime L90B10 (hours)	> 90,000
Driver option	Integral control gear	Dimming type	On/Off, 1-10V, DALI	Lifetime L80B10 (hours)	> 90,000
Driver	Constant current (CC)	Product colours	Black, Dark Grey, White, Matt Silver, Bronze, Concrete - Urban, Softscape - Urban, Stone - Urban, Corten - Urban, Oak - Woodland, Walnut - Woodland, Pine - Woodland	Lifetime L80B50 (hours)	> 90,000
Input voltage	220-240 V 50/60 Hz			Variants (On/Off, DALI)	Compatible with EN/ IEC 60598-2-22: Suitable for emergency installations as central supply, non-maintained (Z0)
Optic	M, W, EW, T2, T3, T4, ME	Weight	15.5 kg		
Optic value	30°, 57°, 115°, 142°x42°, 150°x71°, 122°x79°, 150°x63°	Operating temperature	-20 °C to 40 °C		
		EPA (m2)	0.153		

GA-90252



GANDALF 25 (GA-90252)

Accessory



DALI Control System
Control-DALI
