

**ROBUST 2 (RO-80486-S)****Product description**

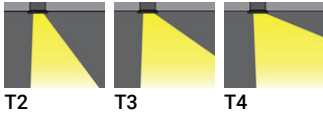
With remote box IP-rated / remote driver - Round - Stainless frame



microVOS

**Luminaire Structure**

- Die-cast aluminium housing
- Pre-treated before powder coating ensuring high corrosion resistance
- Single cable entry
- Stainless steel fasteners in grade 304 with zinc flake coating (ZFC)
- Durable silicone rubber gasket
- Clear toughened glass
- High-efficiency optical reflector
- Remote driver (included)

**Optic**

T2

T3

T4

**Product colour**

00 - Stainless Steel

**ROBUST 2 (RO-80486-S)**

**Technical information**

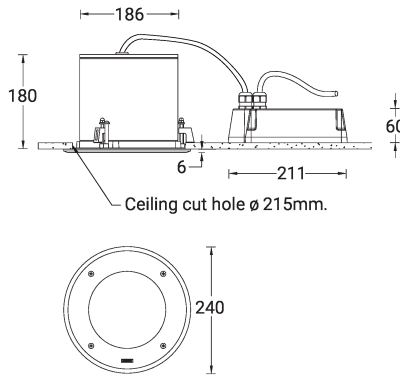
<b>Material</b>	Stainless Steel
<b>Light source</b>	16 LED
<b>Power</b>	36 W
<b>Lumen</b>	3476 - 3910 lm
<b>Efficacy</b>	97 - 109 lm/W
<b>Driver option</b>	Remote driver (included)
<b>Driver</b>	Constant current (CC)
<b>Input voltage</b>	220-240 V 50/60 Hz
<b>Optic</b>	T2, T3, T4

<b>Optic value</b>	140°x 46°, 140°x 68°, 91°x 76°
<b>CCT / CRI</b>	3000K CRI80, 4000K CRI80
<b>Bug</b>	B1-U0-G1
<b>ULR</b>	<1%
<b>ULOR</b>	<1%
<b>CIE flux code n°3</b>	98
<b>Dimming type</b>	On/Off, 1-10V, DALI
<b>Product colours</b>	Stainless Steel
<b>Weight</b>	4.2 kg

<b>Operating temperature</b>	-20 °C to 40 °C
<b>Through wiring</b>	Single cable entry
<b>Lens / Reflector / Optic</b>	Clear toughened glass, High-efficiency optical reflector
<b>MacAdam Ellipse</b>	3 SDCM
<b>Lifetime L90B10 (hours)</b>	> 90,000
<b>Lifetime L80B10 (hours)</b>	> 90,000
<b>Lifetime L80B50 (hours)</b>	> 90,000

**Variants (1-10V)**  
Compatible with EN/ IEC 60598-2-22: Suitable for emergency installations as central supply, non-maintained (Z0)

RO-80486-S



**ROBUST 2 (RO-80486-S)**

**Accessory**

---



---

Concrete box modification upon request  
**CONCRETE-BOX**

---



---

DALI Control System  
**Control-DALI**

---