

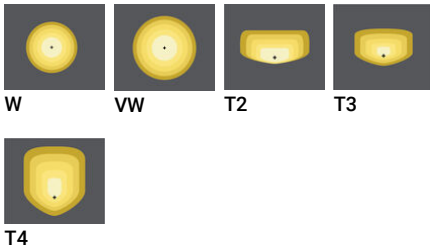
SANTANDER 2 (SAT-90011)



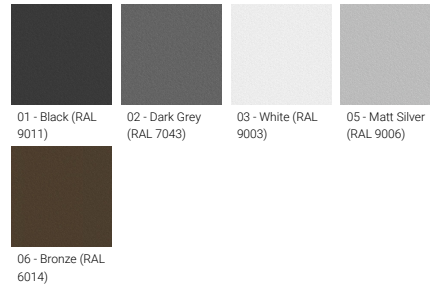
Luminaire Structure

- Die-cast aluminium housing
- Pre-treated before powder coating ensuring high corrosion resistance
- Single cable entry
- One IP68 connector supplied with 0.2 m of 3x1.0 sqmm outdoor cable
- Stainless steel fasteners in grade 304 with zinc flake coating (ZFC)
- Durable silicone rubber gasket
- High-efficiency PMMA lens
- Integral control gear

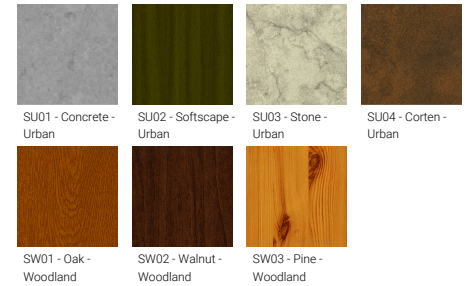
Optic



Product colour



Special finishes upon request



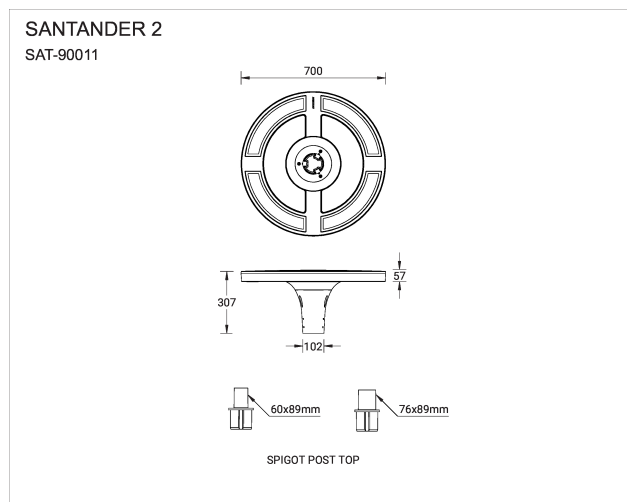
SANTANDER 2 (SAT-90011)

Technical information

Material	Aluminium
Light source	4 x 6 LED
Power	28 W
Lumen	2103 - 2989 lm
Efficacy	75 - 107 lm/W
Driver option	Integral control gear
Driver	Constant current (CC)
Input voltage	220-240 V 50/60 Hz

Optic	W, VW, T2, T3, T4
Optic value	108°, 120°, 136°x22°, 140°x44°, 148°x78°
CCT / CRI	3000K CRI80, 4000K CRI80
Bug	B2-U0-G2, B3-U0-G0, B3-U0-G1, B3-U0-G2, B3-U0-G3
ULR	<1%
ULOR	<1%
CIE flux code n°3	96, 97, 98, 99
Dimming type	On/Off, 1-10V, DALI

Product colours	Black, Dark Grey, White, Matt Silver, Bronze, Concrete - Urban, Softscape - Urban, Stone - Urban, Corten - Urban, Oak - Woodland, Walnut - Woodland, Pine - Woodland
Weight	13.0 kg
Operating temperature	-20 °C to 40 °C
EPA (m2)	0.070
Cable	One IP68 connector supplied with 0.2 m of 3x1.0 sqmm outdoor cable
Through wiring	Single cable entry
Lens / Reflector / Optic	High-efficiency PMMA lens
Variants (On/Off, 1-10V, DALI)	Compatible with EN/ IEC 60598-2-22: Suitable for emergency installations as central supply, non-maintained (Z0)



SANTANDER 2 (SAT-90011)

Accessory



DALI Control System
Control-DALI
