

**BENTON 13 (BE-20051-LC)**



**Product description**

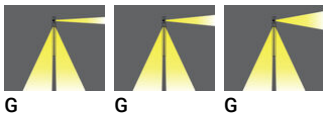
Ø225 mm - 1 projector - Supplied with specific 2.5 m cylindrical, straight aluminium pole: APD125225-BE-20051 - LIGHTCONNECT™



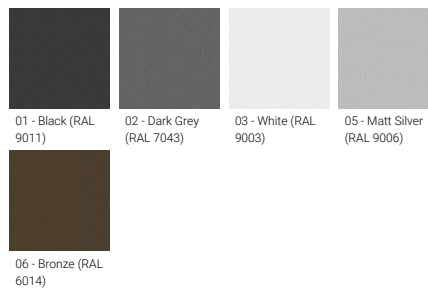
**Luminaire Structure**

- Die-cast aluminium housing
- Extruded aluminium column
- Pre-treated before powder coating ensuring high corrosion resistance
- Single cable entry
- One IP68 connector supplied with 0.2 m of 3x1.0 sqmm outdoor cable
- Stainless steel fasteners in grade 304 with zinc flake coating (ZFC)
- Durable silicone rubber gasket
- Clear toughened glass
- High-efficiency polycarbonate lens
- Integral control gear
- Maximum wind load resistance is 160 km/h
- Surge protection 10kV
- BENTON luminaires with projectors on top and colder than 3000K CCT do not meet the IDA certification requirements
- BENTON 3 and 11 are not available in European Union

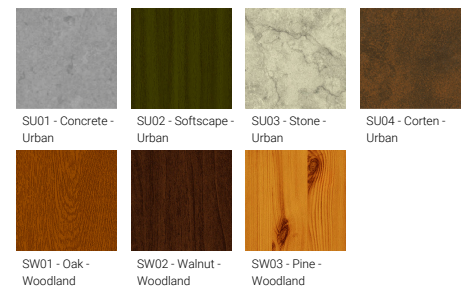
**Optic**



**Product colour**



**Special finishes upon request**



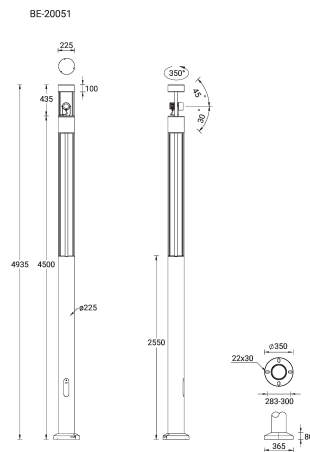
**BENTON 13** (BE-20051-LC)

**Technical information**

<b>Material</b>	Aluminium
<b>Light source</b>	1 & 1 COB (Projectors)
<b>Power</b>	61 W
<b>Lumen</b>	4083 - 4373 lm
<b>Efficacy</b>	68 - 73 lm/W
<b>Driver option</b>	Integral control gear
<b>Driver</b>	Constant current (CC)
<b>Input voltage</b>	220-240 V 50/60 Hz

<b>Optic</b>	G
<b>Optic value</b>	133°
<b>CCT / CRI</b>	3000K CRI80, 4000K CRI80
<b>Dimming type</b>	DALI
<b>Product colours</b>	Black, Dark Grey, White, Matt Silver, Bronze, Concrete - Urban, Softscape - Urban, Stone - Urban, Corten - Urban, Oak - Woodland, Walnut - Woodland, Pine - Woodland
<b>Weight</b>	37.4 kg
<b>Operating temperature</b>	-20 °C to 40 °C
<b>EPA (m2)</b>	0.798

<b>Cable</b>	One IP68 connector supplied with 0.2 m of 3x1.0 sqmm outdoor cable
<b>Through wiring</b>	Single cable entry
<b>Lens / Reflector / Optic</b>	Clear toughened glass, High-efficiency polycarbonate lens
<b>MacAdam Ellipse</b>	3 SDCM
<b>Lifetime L90B10 (hours)</b>	> 50,700
<b>Lifetime L80B10 (hours)</b>	> 63,500
<b>Lifetime L80B50 (hours)</b>	> 63,500
<b>Variants (DALI)</b>	Compatible with EN/ IEC 60598-2-22: Suitable for emergency installations as central supply, non-maintained (Z0)



**BENTON 13** (BE-20051-LC)**Accessory**

Zhaga Book 18 socket (Up)  
**A90991-U**



NEMA 7 socket  
**A90891**



DALI Control System  
**Control-DALI**



Smart Pole Accessories  
**Accs-Smart-Pole**

**Pole (required)**

2.5 m - Cylindrical, straight  
aluminium pole for BENTON  
**APD125225-BE-20051**