

FORREY 19 (FOR-30051)



Product description

Ø880 - 933 mm - With shade & opal diffuser



microPrim™

Luminaire Structure

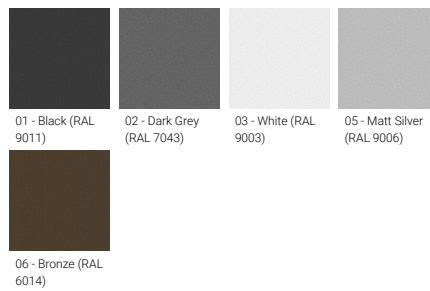
- Die-cast aluminium housing and frame
- Pre-treated before powder coating ensuring high corrosion resistance
- Models with shade will have colour white coating at inside of shade luminaire and outside surface coating according to colour of luminaire
- Two cable entries for through wiring
- Stainless steel fasteners in grade 304 with zinc flake coating (ZFC)
- Durable silicone rubber gasket
- White coated aluminium reflector on the top of luminaire
- Opal UV-stabilised polycarbonate diffuser
- Integral control gear
- FORREY luminaires with opal lens and colder than 3000K CCT do not meet the IDA certification requirements

Optic

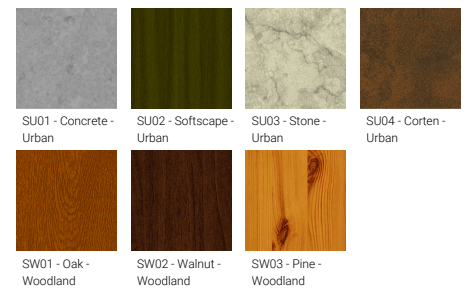


G

Product colour



Special finishes upon request

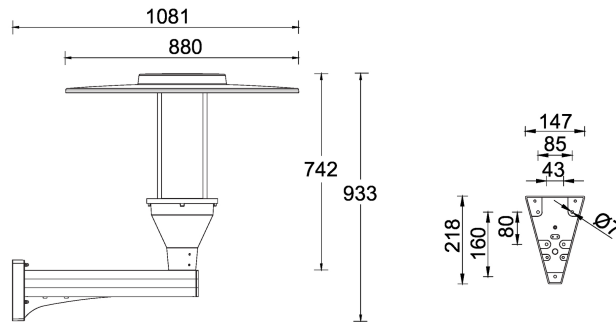


FORREY 19 (FOR-30051)

Technical information

Material	Aluminium	Optic	G	Lens / Reflector / Optic	White coated aluminium reflector on the top of luminaire, Opal UV-stabilised polycarbonate diffuser	
Light source	180 LED	Optic value	360°	MacAdam Ellipse	3 SDCM	
Power	60 W	CCT / CRI	3000K CRI80, 4000K CRI80	Lifetime L90B10 (hours)	> 23,000	
Lumen	4234 - 4553 lm	Dimming type	On/Off, 1-10V, DALI	Lifetime L80B10 (hours)	> 45,000	
Efficacy	71 - 76 lm/W	Product colours	Black, Dark Grey, White, Matt Silver, Bronze, Concrete - Urban, Softscape - Urban, Stone - Urban, Corten - Urban, Oak - Woodland, Walnut - Woodland, Pine - Woodland	Lifetime L80B50 (hours)	> 49,000	
Driver option	Integral control gear			Variants (On/Off, 1-10V, DALI)	Compatible with EN/ IEC 60598-2-22: Suitable for emergency installations as central supply, non-maintained (Z0)	
Driver	Constant current (CC)					
Input voltage	220-240 V 50/60 Hz					
		Weight	16.8 kg			
		Operating temperature	-20 °C to 50 °C			
		Through wiring	Two cable entries for through wiring			

FOR-30051



FORREY 19 (FOR-30051)

Accessory



DALI Control System
Control-DALI
