

**JET 53 (JE-30383)**



**Product description**

Ø160 - 262 mm - Down (Optic) & Up (Optic 2nd) - Round - RGBW



microPrim™

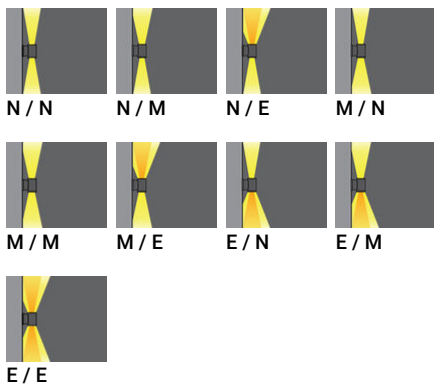
**Luminaire Structure**

- Die-cast aluminium housing
- Pre-treated before powder coating ensuring high corrosion resistance
- Two cable entries for through wiring
- Stainless steel fasteners in grade 304 with zinc flake coating (ZFC)

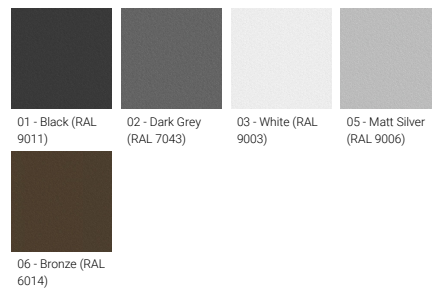
- Durable silicone rubber gasket
- Clear toughened glass
- Integral control gear
- Optional surface mounting box for easy wiring or conduit connection when wiring from behind is not possible

- JET luminaires with uplight and colder than 3000K CCT do not meet the IDA certification requirements

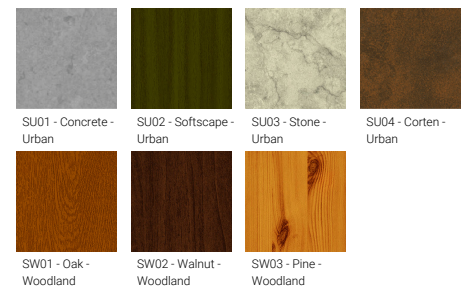
**Optic**



**Product colour**



**Special finishes upon request**



**JET 53** (JE-30383)

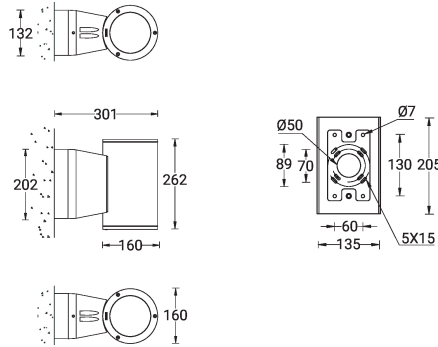
**Technical information**

<b>Material</b>	Aluminium
<b>Light source</b>	7 & 7 LED
<b>Power</b>	66 W
<b>Lumen</b>	2238 - 2858 lm
<b>Efficacy</b>	34 - 43 lm/W
<b>Driver option</b>	Integral control gear
<b>Driver</b>	Constant current (CC)

<b>Input voltage</b>	220-240 V 50/60 Hz
<b>Optic</b>	N, M, E
<b>Optic value</b>	21°, 35°, 26° x 48°
<b>Optic (2nd)</b>	N, M, E
<b>Optic (2nd) value</b>	21°, 35°, 26° x 48°
<b>CCT / CRI</b>	RGBW30, RGBW40, RGBW65
<b>Dimming type</b>	DMX, DMX/RDM

<b>Product colours</b>	Black, Dark Grey, White, Matt Silver, Bronze, Concrete - Urban, Softscape - Urban, Stone - Urban, Corten - Urban, Oak - Woodland, Walnut - Woodland, Pine - Woodland
<b>Weight</b>	5.3 kg
<b>Operating temperature</b>	-20 °C to 50 °C
<b>Through wiring</b>	Two cable entries for through wiring
<b>Lens / Reflector / Optic</b>	Clear toughened glass
<b>Variants (DMX/RDM)</b>	Compatible with EN/ IEC 60598-2-22: Suitable for emergency installations as central supply, non-maintained (Z0)

JE-30383



**Accessory**

---



DMX Control System  
**Control-DMX**



DMX/RDM Control System  
**Control-DMX-RDM**