

JET 41 (JE-80051)



Product description

Ø160 - 296 mm - Round



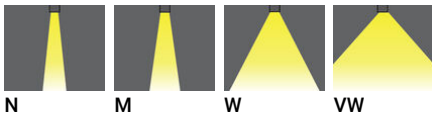
Luminaire Structure

- Die-cast aluminium housing
- Pre-treated before powder coating ensuring high corrosion resistance
- Single cable entry
- Stainless steel fasteners in grade 304 with zinc flake coating (ZFC)

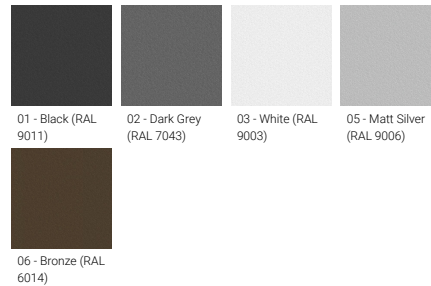
- Durable silicone rubber gasket
- High-efficiency optical reflector
- Clear toughened glass
- Integral control gear

- Optional surface mounting box for easy wiring or conduit connection when wiring from behind is not possible

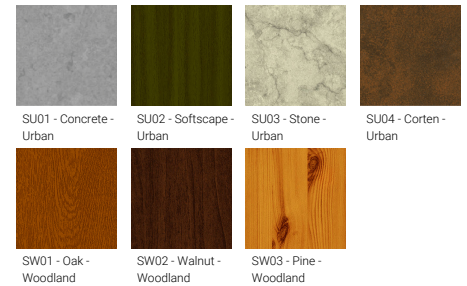
Optic



Product colour



Special finishes upon request



JET 41 (JE-80051)

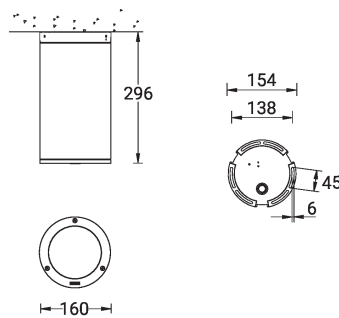
Technical information

Material	Aluminium
Light source	1 COB
Power	35 W
Lumen	3289 - 4094 lm
Efficacy	94 - 117 lm/W
Driver option	Integral control gear
Driver	Constant current (CC)
Input voltage	220-240 V 50/60 Hz
Optic	N, M, W, VW

Optic value	18°, 24°, 41°, 73°
CCT / CRI	2700K CRI80, 3000K CRI80, 4000K CRI80
Bug	B2-U0-G0, B3-U0-G0
ULR	<1%
ULOR	<1%
CIE flux code n°3	100
Dimming type	On/Off, 1-10V, DALI
Product colours	Black, Dark Grey, White, Matt Silver, Bronze, Concrete - Urban, Softscape - Urban, Stone - Urban, Corten - Urban, Oak - Woodland, Walnut - Woodland, Pine - Woodland
Weight	3.1 kg

Operating temperature	-20 °C to 50 °C
Through wiring	Single cable entry
Lens / Reflector / Optic	High-efficiency optical reflector, Clear toughened glass
MacAdam Ellipse	3 SDCM
Lifetime L90B10 (hours)	> 50,700
Lifetime L80B10 (hours)	> 63,500
Lifetime L80B50 (hours)	> 63,500
Variants (1-10V, DALI)	Compatible with EN/ IEC 60598-2-22: Suitable for emergency installations as central supply, non-maintained (Z0)

JE-80051



JET 41 (JE-80051)**Accessory**



Mounting ring for semi-recessed
installation
A80181



Surface mounting box for easy
cabling (JET 41)
SCE-JET-41



DALI Control System
Control-DALI
