

LADOR 1 (LD-50002) (Version 1)



Product description

With remote driver IP-rated - Constant voltage (CV) 24 V - 62x62 mm - Class III - RGBW



microPrim™

Luminaire Structure

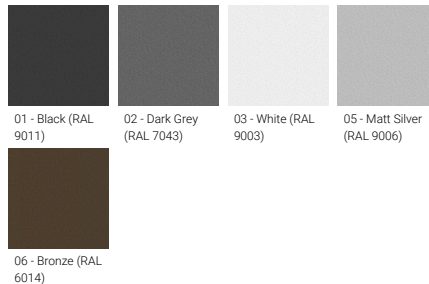
- Die-cast aluminium housing
- Thermal heat dissipation body
- Pre-treated before powder coating ensuring high corrosion resistance
- Single cable entry
- One cable gland supplied with 0.2 m of 5x1.0 sqmm outdoor cable
- Stainless steel fasteners in grade 304 with zinc flake coating (ZFC)
- Durable silicone rubber gasket
- High-efficiency PMMA lens
- Clear toughened glass
- Remote driver (included)
- LADOR 1, 2, 3 and 4 are not available in European Union

Optic

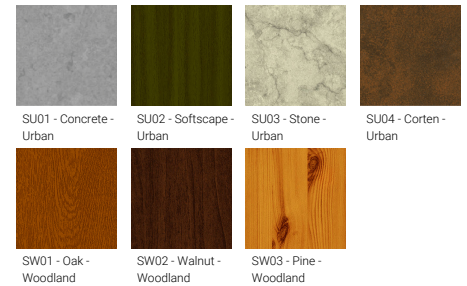


M

Product colour



Special finishes upon request

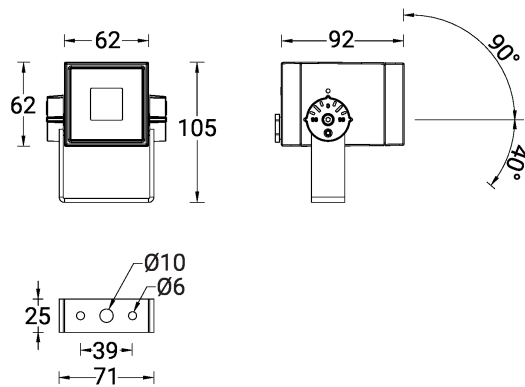


LADOR 1 (LD-50002) (Version 1)

Technical information

Material	Aluminium	Optic	M	Weight	0.7 kg
Light source	1 LED	Optic value	34°	Operating temperature	-20 °C to 40 °C
Power	4 W	CCT / CRI	RGBW30, RGBW40	EPA (m2)	0.010
Lumen	166 - 170 lm	ULR	<1%	Cable	One cable gland supplied with 0.2 m of 5x1.0 sqmm outdoor cable
Efficacy	42 - 43 lm/W	ULOR	<1%	Through wiring	Single cable entry
Driver option	Remote driver (included)	CIE flux code n°3	100	Lens / Reflector / Optic	High-efficiency PMMA lens, Clear toughened glass
Driver	Constant voltage (CV)	Dimming type	DMX, DMX/RDM	Variants (DMX/RDM)	Compatible with EN/ IEC 60598-2-22: Suitable for emergency installations as central supply, non-maintained (Z0)
Input voltage	24 VDC	Product colours	Black, Dark Grey, White, Matt Silver, Bronze, Concrete - Urban, Softscape - Urban, Stone - Urban, Corten - Urban, Oak - Woodland, Walnut - Woodland, Pine - Woodland		

LD-50002

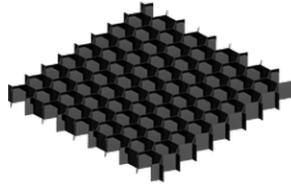


LADOR 1 (LD-50002) (Version 1)**Accessory**

Anti-glare visor
A52831



Ground spike
A50641



Honeycomb louvre
A51821



Linear spread lens
A51114



DMX Control System
Control-DMX



DMX/RDM Control System
Control-DMX-RDM

Please contact the factory for technical details if you wish to use Anti-glare accessories, Colour filters, Lenses and slip glasses in combination.