

**LIGHT LINEAR PT 6 (LI-21321)**



**Product description**

2 sides - Supplied with specific square, straight aluminium pole - Height options: 3 - 6 m



**Luminaire Structure**

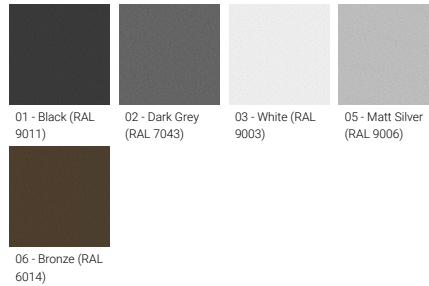
- Die-cast aluminium housing
- Extruded aluminium column
- Pre-treated before powder coating ensuring high corrosion resistance
- Single cable entry
- Stainless steel fasteners in grade 304 with zinc flake coating (ZFC)
- Durable silicone rubber gasket
- Clear toughened glass
- High-efficiency polycarbonate lens
- Integral control gear
- Maximum wind load resistance is 100 km/h
- Surge protection 10kV

**Optic**



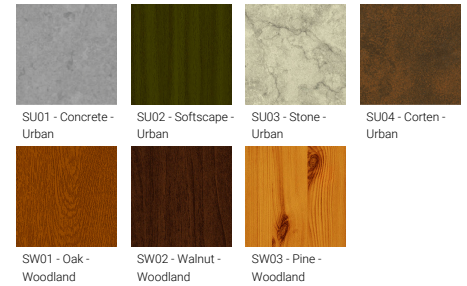
T2      T3      T4

**Product colour**



01 - Black (RAL 9011)    02 - Dark Grey (RAL 7043)    03 - White (RAL 9003)    05 - Matt Silver (RAL 9006)  
06 - Bronze (RAL 6014)

**Special finishes upon request**



SU01 - Concrete - Urban    SU02 - Softscape - Urban    SU03 - Stone - Urban    SU04 - Corten - Urban  
SW01 - Oak - Woodland    SW02 - Walnut - Woodland    SW03 - Pine - Woodland

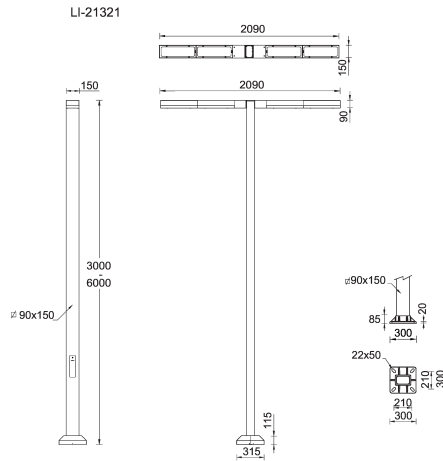
**LIGHT LINEAR PT 6 (LI-21321)**

**Technical information**

<b>Material</b>	Aluminium
<b>Light source</b>	2 x 48 LED
<b>Power</b>	310 W
<b>Lumen</b>	32486 - 37068 lm
<b>Efficacy</b>	104 - 119 lm/W
<b>Driver option</b>	Integral control gear
<b>Driver</b>	Constant current (CC)
<b>Input voltage</b>	220-240 V 50/60 Hz
<b>Optic</b>	T2, T3, T4

<b>Optic value</b>	138°x42°, 124°x52°, 110°x68°
<b>CCT / CRI</b>	2700K CRI80, 3000K CRI80, 4000K CRI80
<b>Bug</b>	B3-U1-G3, B4-U1-G3
<b>ULR</b>	<1%
<b>ULOR</b>	<1%
<b>CIE flux code n°3</b>	97, 98
<b>Dimming type</b>	On/Off, 1-10V, DALI
<b>Product colours</b>	Black, Dark Grey, White, Matt Silver, Bronze, Concrete - Urban, Softscape - Urban, Stone - Urban, Corten - Urban, Oak - Woodland, Walnut - Woodland, Pine - Woodland
<b>Weight</b>	40.8 kg

<b>Operating temperature</b>	-20 °C to 50 °C
<b>EPA (m2)</b>	0.193
<b>Through wiring</b>	Single cable entry
<b>Lens / Reflector / Optic</b>	Clear toughened glass, High-efficiency polycarbonate lens
<b>MacAdam Ellipse</b>	3 SDCM
<b>Lifetime L90B10 (hours)</b>	> 90,000
<b>Lifetime L80B10 (hours)</b>	> 90,000
<b>Lifetime L80B50 (hours)</b>	> 90,000



**LIGHT LINEAR PT 6 (LI-21321)**

**Accessory**



Motion sensor - PIR - 1-10V - Up to 3 m  
**A90191-L2**



Motion sensor - PIR - 1-10V - Up to 6 m  
**A90191-L3**



Motion sensor - PIR - 1-10V - Up to 12 m  
**A90191-L7**



Root mount kit  
**A20891**



Circuit breaker box IP44  
**A21291**



Internal cable support for pole 3 m  
**A23991**



Internal cable support for pole 4 m  
**A24091**



Internal cable support for pole 5 m  
**A24191**



Internal cable support for pole 6 m  
**A24291**



Remote controller for the motion sensor - 1-10V (A90191)  
**A90791**



DALI Control System  
**Control-DALI**

**Pole (required)**



3 m - Square, straight aluminium pole for LIGHT LINEAR PT - 2 sides  
**APC230090-PT6-LI-21321**



4 m - Square, straight aluminium pole for LIGHT LINEAR PT - 2 sides  
**APC240090-PT6-LI-21321**



5 m - Square, straight aluminium pole for LIGHT LINEAR PT - 2 sides  
**APC250090-PT6-LI-21321**



6 m - Square, straight aluminium pole for LIGHT LINEAR PT - 2 sides  
**APC260090-PT6-LI-21321**