

MACARON 5 (MC-10013)



Product description

Ø102 - 1000 mm - 1000 mA



microPrim™



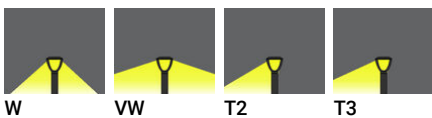
Luminaire Structure

- Die-cast aluminium housing and frame
- Pre-treated before powder coating ensuring high corrosion resistance
- Extruded aluminium column
- Customised dimensions are available as standard upon request

- Single cable entry
- One IP68 connector supplied with 0.2 m of 3x1.0 sqmm outdoor cable
- Stainless steel fasteners in grade 304 with zinc flake coating (ZFC)
- Durable silicone rubber gasket

- Clear toughened glass
- High-efficiency PMMA lens
- Integral control gear

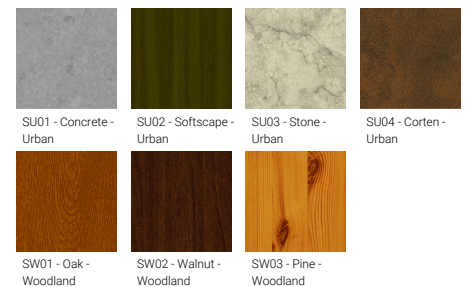
Optic



Product colour



Special finishes upon request



MACARON 5 (MC-10013)

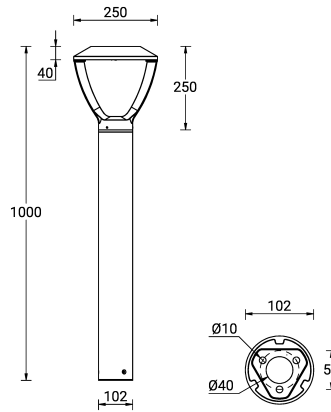
Technical information

Material	Aluminium
Light source	28 LED
Power	46 W
Lumen	3848 - 4944 lm
Efficacy	84 - 107 lm/W
Driver option	Integral control gear
Driver	Constant current (CC)
Input voltage	220-240 V 50/60 Hz

Optic	W, VW, T2, T3
Optic value	76°x97°, 109°x125°, 140°x52°, 123°x37°
CCT / CRI	3000K CRI80, 4000K CRI80
Bug	B1-U0-G1, B2-U0-G1, B2-U0-G2
ULR	<1%
ULOR	<1%
CIE flux code n°3	95, 96, 97
Dimming type	On/Off

Product colours	Black, Dark Grey, White, Matt Silver, Bronze, Concrete - Urban, Softscape - Urban, Stone - Urban, Corten - Urban, Oak - Woodland, Walnut - Woodland, Pine - Woodland
Weight	5.3 kg
Operating temperature	-20 °C to 50 °C
Cable	One IP68 connector supplied with 0.2 m of 3x1.0 sqmm outdoor cable
Through wiring	Single cable entry
Lens / Reflector / Optic	Clear toughened glass, High-efficiency PMMA lens

MC-10013



MACARON 5 (MC-10013)**Accessory**



Anchor bolt
A10791
