

NIKON 3 (NI-80525-S)**Product description**

With remote box IP-rated / remote driver - Round - Stainless steel frame

**Luminaire Structure**

- Die-cast aluminium housing
- Pre-treated before powder coating ensuring high corrosion resistance
- 6 mm thick front ring in stainless steel or aluminium
- Single cable entry
- Stainless steel fasteners in grade 304 with zinc flake coating (ZFC)
- Durable silicone rubber gasket
- Clear toughened glass
- Remote driver (included)

Optic

VN

Product colour

00 - Stainless Steel

NIKON 3 (NI-80525-S)

Technical information

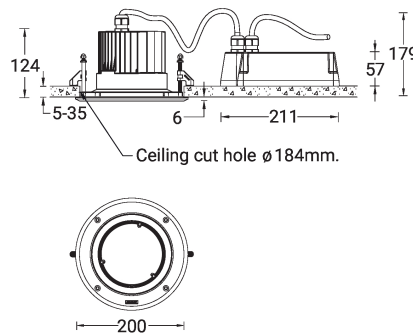
Material	Stainless Steel
Light source	7 LED
Power	33 W
Lumen	3091 - 3320 lm
Efficacy	94 - 101 lm/W
Driver option	Remote driver (included)
Driver	Constant current (CC)
Input voltage	220-240 V 50/60 Hz
Optic	VN

Optic value	8°
CCT / CRI	3000K CRI80, 4000K CRI80
Bug	B3-U1-G0
ULR	<1%
ULOR	<1%
CIE flux code n°3	100
Dimming type	On/Off, 1-10V, DALI
Product colours	Stainless Steel
Weight	2.6 kg

Operating temperature	-20 °C to 50 °C
Through wiring	Single cable entry
Lens / Reflector / Optic	Clear toughened glass
MacAdam Ellipse	3 SDCM
Lifetime L90B10 (hours)	> 109,000
Lifetime L80B10 (hours)	> 109,000
Lifetime L80B50 (hours)	> 109,000

Variants (On/Off, 1-10V, DALI)
 Compatible with EN/ IEC 60598-2-22: Suitable for emergency installations as central supply, non-maintained (Z0)

NI-80525-S



Accessory



Concrete box modification upon request
CONCRETE-BOX



DALI Control System
Control-DALI
