

QUANTUM 2 (QA-21031) (Version 2)



Product description

2 sides



microVos microPrim™

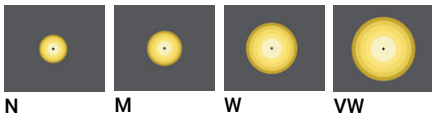
Luminaire Structure

- Die-cast aluminium housing
- Pre-treated before powder coating ensuring high corrosion resistance
- Single cable entry
- One cable gland supplied with 0.5 m of 3x1.0 sqmm outdoor cable

- Stainless steel fasteners in grade 304 with zinc flake coating (ZFC)
- Durable silicone rubber gasket
- High-efficiency optical reflector
- Clear toughened glass

- Integral control gear
- Surge protection 10kV

Optic



N M W VW

Product colour

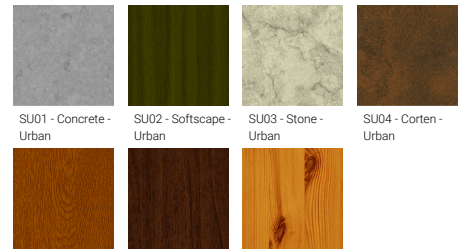


01 - Black (RAL 9011) 02 - Dark Grey (RAL 7043) 03 - White (RAL 9003) 05 - Matt Silver (RAL 9006)



06 - Bronze (RAL 6014)

Special finishes upon request



SU01 - Concrete - Urban SU02 - Softscape - Urban SU03 - Stone - Urban SU04 - Corten - Urban

SW01 - Oak - Woodland SW02 - Walnut - Woodland SW03 - Pine - Woodland

QUANTUM 2 (QA-21031) (Version 2)

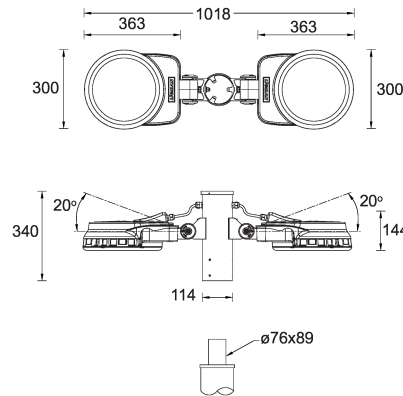
Technical information

Material	Aluminium
Light source	2 x 6 COB
Power	166 W
Lumen	14966 - 17484 lm
Efficacy	90 - 105 lm/W
Driver option	Integral control gear
Driver	Constant current (CC)
Input voltage	220-240 V 50/60 Hz
Optic	N, M, W, VW

Optic value	24°, 33°, 44°, 76°
CCT / CRI	2700K CRI80, 3000K CRI80, 4000K CRI80
Bug	B3-U0-G0, B3-U0-G1, B4-U0-G0
ULR	<1%
ULOR	<1%
CIE flux code n°3	100, 99
Dimming type	On/Off, 1-10V, DALI
Product colours	Black, Dark Grey, White, Matt Silver, Bronze, Concrete - Urban, Softscape - Urban, Stone - Urban, Corten - Urban, Oak - Woodland, Walnut - Woodland, Pine - Woodland
Weight	20.0 kg

Operating temperature	-20 °C to 40 °C
EPA (m2)	0.154
Cable	One cable gland supplied with 0.5 m of 3x1.0 sqmm outdoor cable
Through wiring	Single cable entry
Lens / Reflector / Optic	High-efficiency optical reflector, Clear toughened glass
MacAdam Ellipse	3 SDCM
Lifetime L90B10 (hours)	> 61,000
Variants (On/Off, 1-10V, DALI)	Compatible with EN/ IEC 60598-2-22: Suitable for emergency installations as central supply, non-maintained (Z0)

QA-21031



QUANTUM 2 (QA-21031) (Version 2)**Accessory**



DALI Control System
Control-DALI
