

SANDY 9 (SA-31552-1MS)



Product description

Large - With integrated motion sensor



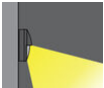
microPrim™



Luminaire Structure

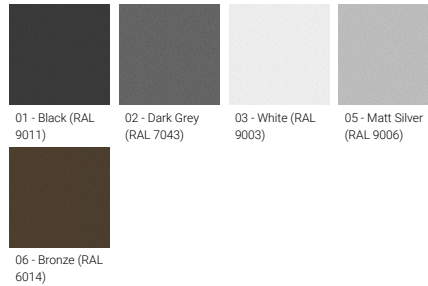
- Die-cast aluminium housing and frame
- Pre-treated before powder coating ensuring high corrosion resistance
- Two cable entries for through wiring
- Stainless steel fasteners in grade 304 with zinc flake coating (ZFC)
- Durable silicone rubber gasket
- Opal UV-stabilised polycarbonate diffuser
- Integral control gear
- Optional surface mounting box for easy wiring or conduit connection when wiring from behind is not possible

Optic

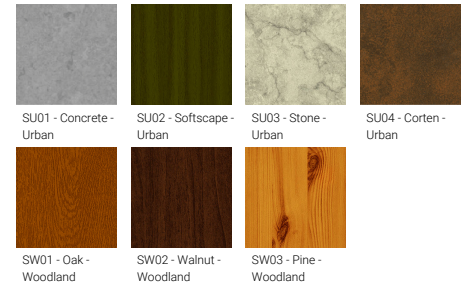


G

Product colour



Special finishes upon request



SANDY 9 (SA-31552-1MS)

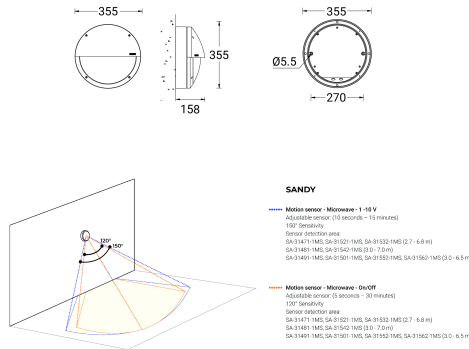
Technical information

Material	Aluminium
Light source	96 LED
Power	27 W
Lumen	1249 - 1315 lm
Efficacy	46 - 49 lm/W
Driver option	Integral control gear
Driver	Constant current (CC)
Input voltage	220-240 V 50/60 Hz

Optic	G
Optic value	115°x119°
CCT / CRI	3000K CRI80, 4000K CRI80
Bug	B0-U3-G2
ULR	35
ULOR	35
CIE flux code n°3	74
Dimming type	On/Off, 1-10V

Product colours	Black, Dark Grey, White, Matt Silver, Bronze, Concrete - Urban, Softscape - Urban, Stone - Urban, Corten - Urban, Oak - Woodland, Walnut - Woodland, Pine - Woodland
Weight	4.1 kg
Through wiring	Two cable entries for through wiring
Lens / Reflector / Optic	Opal UV-stabilised polycarbonate diffuser
MacAdam Ellipse	3 SDCM
Lifetime L90B10 (hours)	> 37,000
Lifetime L80B10 (hours)	> 78,000
Lifetime L80B50 (hours)	> 86,000

SA-31552-1MS



SANDY 9 (SA-31552-1MS)**Accessory**



Surface mounting box for easy
cabling (SANDY 9)
SCE-SANDY-9



DALI Control System
Control-DALI



Remote controller for the motion
sensor - 1-10V (A34191)
A34391
