

EURASIA 2 (EU-10046-1)



Product description

Ø114 - 1220 mm - Dome top without shade



microPrim™

Luminaire Structure

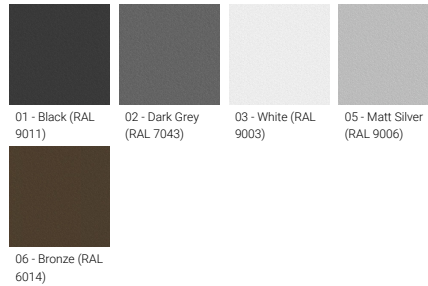
- Die-cast aluminium housing
- Extruded aluminium column
- Pre-treated before powder coating ensuring high corrosion resistance
- Single cable entry
- Stainless steel fasteners in grade 304 with zinc flake coating (ZFC)
- Durable silicone rubber gasket
- Sandblast finishing aluminium reflector
- Clear UV-stabilised polycarbonate diffuser
- Integral control gear

Optic

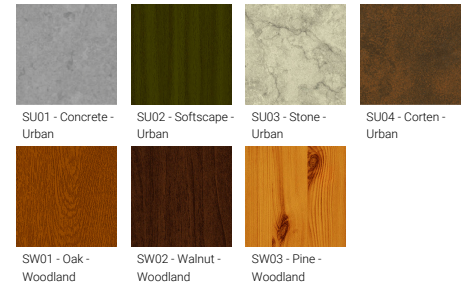


G

Product colour



Special finishes upon request



EURASIA 2 (EU-10046-1)

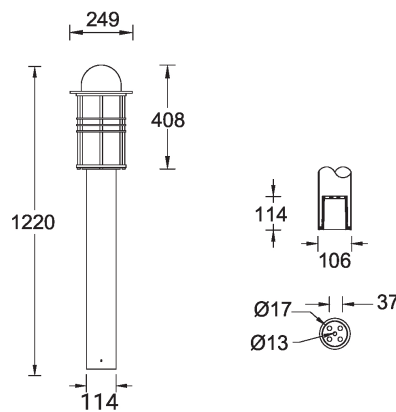
Technical information

Material	Aluminium
Light source	1 COB
Power	41 W
Lumen	1040 - 1053 lm
Efficacy	25 - 26 lm/W
Driver option	Integral control gear
Driver	Constant current (CC)
Input voltage	220-240 V 50/60 Hz

Optic	G
Optic value	360°
CCT / CRI	3000K CRI80, 4000K CRI80
Bug	B1-U3-G1
ULR	25%
ULOR	25%
CIE flux code n°3	76
Dimming type	On/Off, 1-10V, DALI

Product colours	Black, Dark Grey, White, Matt Silver, Bronze, Concrete - Urban, Softscape - Urban, Stone - Urban, Corten - Urban, Oak - Woodland, Walnut - Woodland, Pine - Woodland
Weight	11.3 kg
Operating temperature	-20 °C to 40 °C
Through wiring	Single cable entry
Lens / Reflector / Optic	Sandblast finishing aluminium reflector, Clear UV-stabilised polycarbonate diffuser
MacAdam Ellipse	3 SDCM
Lifetime L90B10 (hours)	> 55,000
Variants (1-10V, DALI)	Compatible with EN/ IEC 60598-2-22: Suitable for emergency installations as central supply, non-maintained (Z0)

EU-10046-1



EURASIA 2 (EU-10046-1)**Accessory**



Anchor bolt
A10191



DALI Control System
Control-DALI