

HAMBURG 1 (HAB-80001)**Product description**

Ø85 - 312 mm

**Luminaire Structure**

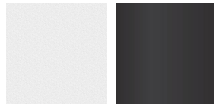
- Extruded aluminium housing
- Adjustable: Tilt 90°, Rotation 355°

- With powder coating
- Integral control gear

- With 3-phase universal adapter

Optic

M

Product colour

03 - White (RAL 9003)

15 - Black (RAL 9005)

HAMBURG 1 (HAB-80001)

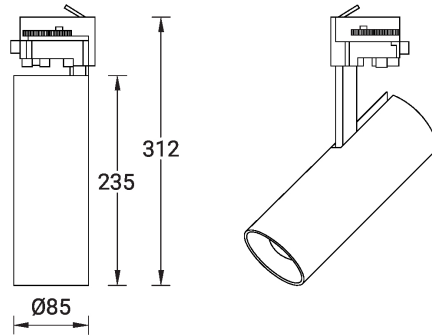
Technical information

Material	Aluminium
Light source	1 COB
Power	28 W
Lumen	1920-2670 lm
Efficacy	95 lm/W
Driver option	Integral control gear
Driver	Constant current (CC)

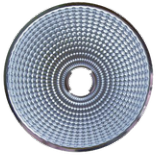
Input voltage	220-240 V 50/60 Hz
Optic	M
Optic value	36°
CCT / CRI	3000K CRI80, 4000K CRI80
Dimming type	Dip switch
Product colours	Black, White
Weight	1.2 kg

Operating temperature	-20 °C to 40 °C
MacAdam Ellipse	3 SDCM
Lifetime L90B10 (hours)	> 90,000
Lifetime L80B10 (hours)	> 90,000
Lifetime L80B50 (hours)	> 90,000

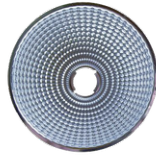
HAB-80001



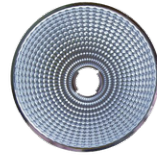
HAMBURG 1 (HAB-80001)**Accessory**



Reflector 15°
A80002



Reflector 24°
A80003



Reflector 60°
A80004
