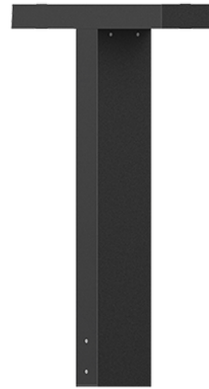


**LIGHT LINEAR PT 2 (LI-10032)**



**Product description**

200x80 mm - 1000 mm - 2 sides

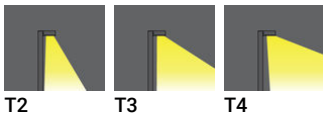


microPrim™

**Luminaire Structure**

- Die-cast aluminium housing
- Extruded aluminium column
- Pre-treated before powder coating ensuring high corrosion resistance
- Single cable entry
- One IP68 connector supplied with 0.2 m of 3x1.0 sqmm outdoor cable
- Stainless steel fasteners in grade 304 with zinc flake coating (ZFC)
- Durable silicone rubber gasket
- Clear toughened glass
- High-efficiency PMMA lens
- Integral control gear

**Optic**



**Product colour**



**Special finishes upon request**



**LIGHT LINEAR PT 2 (LI-10032)**

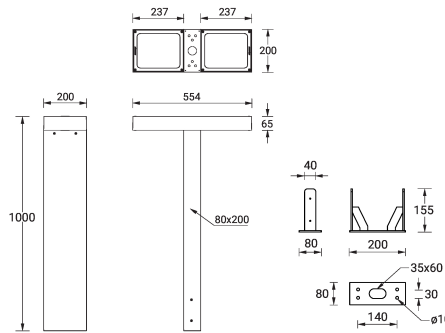
**Technical information**

<b>Material</b>	Aluminium
<b>Light source</b>	2 x 24 LED
<b>Power</b>	108 W
<b>Lumen</b>	10410 - 11946 lm
<b>Efficacy</b>	96 - 111 lm/W
<b>Driver option</b>	Integral control gear
<b>Driver</b>	Constant current (CC)
<b>Input voltage</b>	220-240 V 50/60 Hz
<b>Optic</b>	T2, T3, T4

<b>Optic value</b>	142°x53°, 141°x69°, 99°x79°
<b>CCT / CRI</b>	2700K CRI80, 3000K CRI80, 4000K CRI80
<b>Bug</b>	B1-U0-G1, B1-U3-G1
<b>ULR</b>	<1%
<b>ULOR</b>	<1%
<b>CIE flux code n°3</b>	96, 97, 98
<b>Dimming type</b>	On/Off, 1-10V, DALI
<b>Product colours</b>	Black, Dark Grey, White, Matt Silver, Bronze, Concrete - Urban, Softscape - Urban, Stone - Urban, Corten - Urban, Oak - Woodland, Walnut - Woodland, Pine - Woodland
<b>Weight</b>	15.8 kg

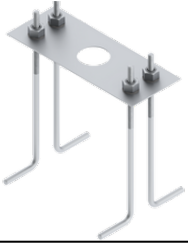
<b>Operating temperature</b>	-20 °C to 50 °C
<b>Cable</b>	One IP68 connector supplied with 0.2 m of 3x1.0 sqmm outdoor cable
<b>Through wiring</b>	Single cable entry
<b>Lens / Reflector / Optic</b>	Clear toughened glass, High-efficiency PMMA lens
<b>MacAdam Ellipse</b>	3 SDCM
<b>Lifetime L90B10 (hours)</b>	> 90,000
<b>Lifetime L80B10 (hours)</b>	> 90,000
<b>Lifetime L80B50 (hours)</b>	> 90,000
<b>Variants (On/Off, 1-10V, DALI)</b>	Compatible with EN/ IEC 60598-2-22: Suitable for emergency installations as central supply, non-maintained (ZO)

LI-10032



**LIGHT LINEAR PT 2** (LI-10032)**Accessory**

---



Anchor bolt  
**A11191**



DALI Control System  
**Control-DALI**