

**MACARON 2 (MC-20012-LC)**



**Product description**

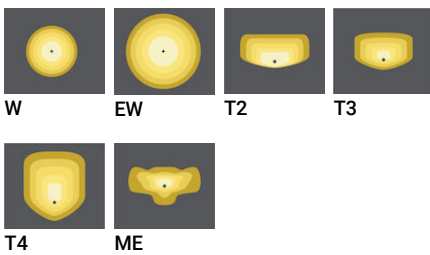
LIGHTCONNECT™



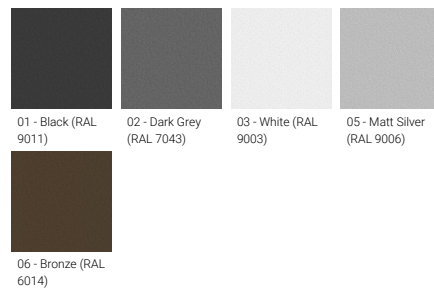
**Luminaire Structure**

- Die-cast aluminium housing and frame
- Pre-treated before powder coating ensuring high corrosion resistance
- Customised dimensions are available as standard upon request
- Single cable entry
- One IP68 connector supplied with 0.2 m of 3x1.0 sqmm outdoor cable
- Stainless steel fasteners in grade 304 with zinc flake coating (ZFC)
- Durable silicone rubber gasket
- Clear toughened glass
- High-efficiency PMMA lens
- Integral control gear

**Optic**



**Product colour**



**Special finishes upon request**



**MACARON 2 (MC-20012-LC)**

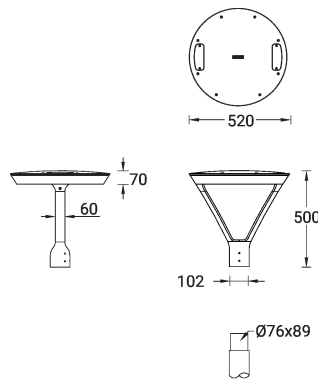
**Technical information**

<b>Material</b>	Aluminium
<b>Light source</b>	48 LED
<b>Power</b>	104 W
<b>Lumen</b>	10535 - 11834 lm
<b>Efficacy</b>	101 - 114 lm/W
<b>Driver option</b>	Integral control gear
<b>Driver</b>	Constant current (CC)
<b>Input voltage</b>	220-240 V 50/60 Hz
<b>Optic</b>	W, EW, T2, T3, T4, ME
<b>Optic value</b>	53°x58°, 104°x116°, 45°x136°, 60°x121°, 61°x97°, 46°x137°

<b>CCT / CRI</b>	3000K CRI80, 4000K CRI80
<b>Bug</b>	B3-U1-G2, B3-U1-G3, B4-U1-G1
<b>ULR</b>	<1%
<b>ULOR</b>	<1%
<b>CIE flux code n°3</b>	97, 98, 99
<b>Dimming type</b>	DALI
<b>Product colours</b>	Black, Dark Grey, White, Matt Silver, Bronze, Concrete - Urban, Softscape - Urban, Stone - Urban, Corten - Urban, Oak - Woodland, Walnut - Woodland, Pine - Woodland
<b>Weight</b>	13.5 kg
<b>Operating temperature</b>	-20 °C to 40 °C
<b>EPA (m2)</b>	0.069

<b>Cable</b>	One IP68 connector supplied with 0.2 m of 3x1.0 sqmm outdoor cable
<b>Through wiring</b>	Single cable entry
<b>Lens / Reflector / Optic</b>	Clear toughened glass, High-efficiency PMMA lens
<b>MacAdam Ellipse</b>	3 SDCM
<b>Lifetime L90B10 (hours)</b>	> 90,000
<b>Lifetime L80B10 (hours)</b>	> 90,000
<b>Lifetime L80B50 (hours)</b>	> 90,000
<b>Variants (DALI)</b>	Compatible with EN/ IEC 60598-2-22: Suitable for emergency installations as central supply, non-maintained (Z0)

MC-20012



**MACARON 2** (MC-20012-LC)**Accessory**

---



---

Zhaga Book 18 socket (Up)  
**A90991-U**

---



---

NEMA 7 socket  
**A90891**

---



---

DALI Control System  
**Control-DALI**

---