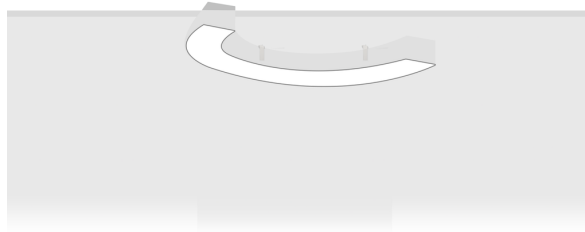


**OULU 1** (OUL-80024)



**Product description**

Down - 180° - R750 - RGBW DMX



microPrim™

**Luminaire Structure**

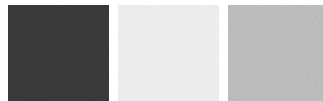
- Extruded aluminium bended profile with powder coating
- Passive thermal management
- Stainless steel fasteners in grade 304 with zinc flake coating (ZFC)
- Opal PMMA diffuser (UGR <19) for glare control
- Integral control gear
- Stainless steel brackets and screws for mounting
- Down light distribution only
- Wireless control available through Bluetooth connection
- Daylight and occupancy sensor options

**Optic**



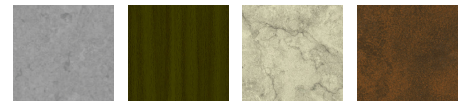
0

**Product colour**

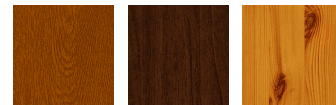


01 - Black (RAL 9011)    03 - White (RAL 9003)    05 - Matt Silver (RAL 9006)

**Special finishes upon request**



SU01 - Concrete - Urban    SU02 - Softscape - Urban    SU03 - Stone - Urban    SU04 - Corten - Urban



SW01 - Oak - Woodland    SW02 - Walnut - Woodland    SW03 - Pine - Woodland

**OULU 1 (OUL-80024)**

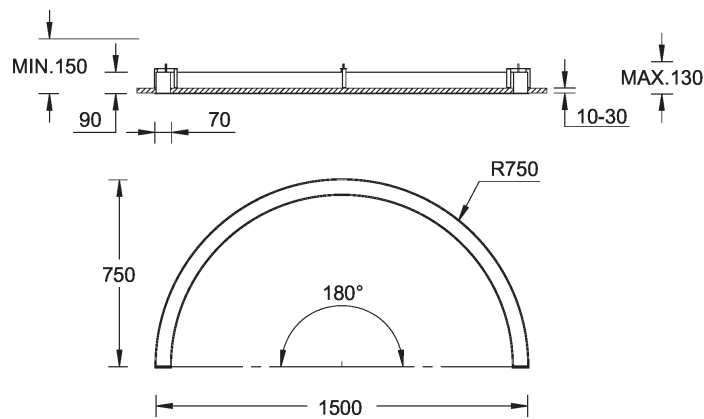
**Technical information**

<b>Material</b>	Aluminium
<b>Light source</b>	768 LED
<b>Power</b>	43 W
<b>Lumen</b>	1434 lm
<b>Efficacy</b>	27 lm/W

<b>Driver option</b>	Integral control gear
<b>Driver</b>	Constant current (CC)
<b>Input voltage</b>	220-240 V 50/60 Hz
<b>Optic</b>	0
<b>CCT / CRI</b>	RGBW40

<b>Dimming type</b>	DMX, DMX/RDM
<b>Product colours</b>	Black, White, Matt Silver, Concrete - Urban, Softscape - Urban, Stone - Urban, Corten - Urban, Oak - Woodland, Walnut - Woodland, Pine - Woodland
<b>Weight</b>	5.8 kg
<b>Operating temperature</b>	-20 °C to 40 °C
<b>Variants (DMX/RDM)</b>	Compatible with EN/ IEC 60598-2-22: Suitable for emergency installations as central supply, non-maintained (Z0)

OUL-80024



**OULU 1** (OUL-80024)

**Accessory**

---



Continuous-coupler bracket  
**A81781**



DMX Control System  
**Control-DMX**



DMX/RDM Control System  
**Control-DMX-RDM**