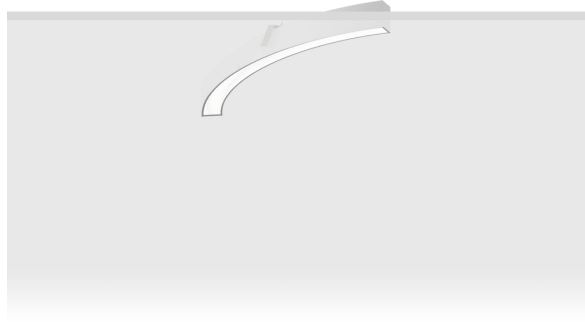


**OULU 3** (OUL-80211)



**Product description**

Down - 45° - R1250

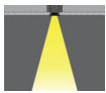


microPrim™

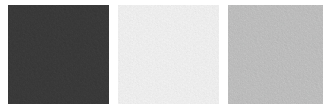
**Luminaire Structure**

- Extruded aluminium bended profile with powder coating
- Passive thermal management
- Stainless steel fasteners in grade 304 with zinc flake coating (ZFC)
- Opal PMMA diffuser (UGR <19) for glare control
- Integral control gear for On/Off (-ND), DALI (-DA). Remote driver is included for 1-10V (-DI)
- Stainless steel brackets and screws for mounting
- Down light distribution only
- Wireless control available through Bluetooth connection
- Daylight and occupancy sensor options

**Optic**

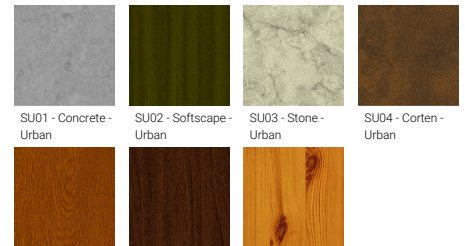


**Product colour**



01 - Black (RAL 9011)    03 - White (RAL 9003)    05 - Matt Silver (RAL 9006)

**Special finishes upon request**



SU01 - Concrete - Urban    SU02 - Softscape - Urban    SU03 - Stone - Urban    SU04 - Corten - Urban  
SW01 - Oak - Woodland    SW02 - Walnut - Woodland    SW03 - Pine - Woodland

**OULU 3** (OUL-80211)

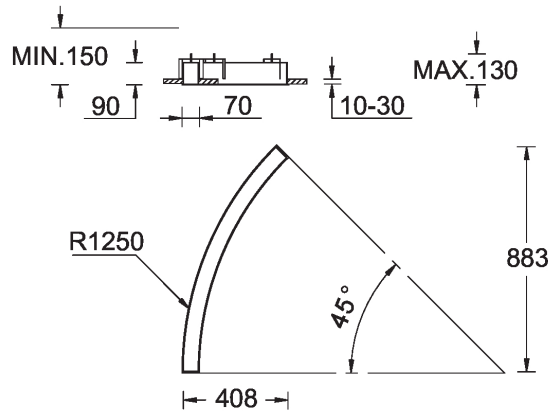
**Technical information**

|                      |   |
|----------------------|---|
| <b>Material</b>      | Aluminium   |
| <b>Light source</b>  | 120 LED   |
| <b>Power</b>         | 16 W  |
| <b>Lumen</b>         | 1533 - 1597 lm  |
| <b>Efficacy</b>      | 96 - 100 lm/W   |
| <b>Driver option</b> | Integral control gear for On/Off (-ND), DALI (-DA). Remote driver is included for 1-10V (-DI) |

|                      |                          |
|----------------------|--------------------------|
| <b>Driver</b>        | Constant current (CC)    |
| <b>Input voltage</b> | 220-240 V 50/60 Hz       |
| <b>Optic</b>         | 0                        |
| <b>Optic value</b>   | Opal                     |
| <b>CCT / CRI</b>     | 3000K CRI80, 4000K CRI80 |
| <b>Dimming type</b>  | On/Off, 1-10V, DALI      |

|                                       |   |
|---------------------------------------|---|
| <b>Product colours</b>                | Black, White, Matt Silver, Concrete - Urban, Softscape - Urban, Stone - Urban, Corten - Urban, Oak - Woodland, Walnut - Woodland, Pine - Woodland |
| <b>Weight</b>                         | 3.0 kg  |
| <b>Operating temperature</b>          | -20 °C to 40 °C   |
| <b>Variants (On/Off, 1-10V, DALI)</b> | Compatible with EN/ IEC 60598-2-22: Suitable for emergency installations as central supply, non-maintained (Z0)                                   |

OUL-80211



**OULU 3** (OUL-80211)**Accessory**

Continuous-coupler bracket  
**A81781**



Xpress wireless switch  
**A90591**



Wireless bluetooth converter  
**A90291**



DALI Control System  
**Control-DALI**