

OULU 9 (OUL-90124)



Product description

Down (Optic) & Up (Optic 2nd) - 180° - R750 - RGBW DMX



microPrim™

Luminaire Structure

- Extruded aluminium bended profile with powder coating
- Passive thermal management
- Stainless steel fasteners in grade 304 with zinc flake coating (ZFC)
- Opal PMMA diffuser (UGR <19) for glare control

- Remote driver (included)
- Stainless steel, adjustable, suspension (1.5 m) complete with electrical wires in white for mounting
- Up and down light distribution options
- Wireless control available through Bluetooth connection

- Daylight and occupancy sensor options

Optic



0

Product colour



01 - Black (RAL 9011) 03 - White (RAL 9003) 05 - Matt Silver (RAL 9006)

Special finishes upon request



SU01 - Concrete - Urban SU02 - Softscape - Urban SU03 - Stone - Urban SU04 - Corten - Urban



SW01 - Oak - Woodland SW02 - Walnut - Woodland SW03 - Pine - Woodland

OULU 9 (OUL-90124)

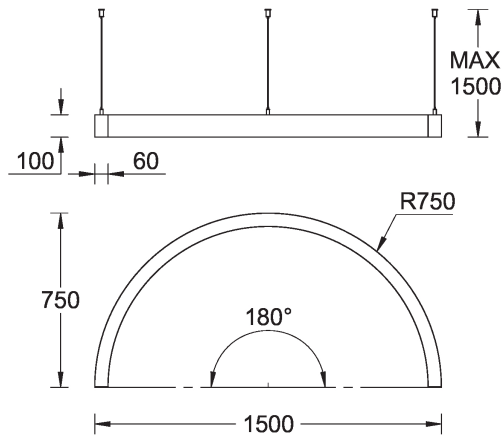
Technical information

| | |
|----------------------|--------------------------|
| Material | Aluminium |
| Light source | 768 LED |
| Power | 86 W |
| Lumen | 2867 lm |
| Efficacy | 27 lm/W |
| Driver option | Remote driver (included) |

| | |
|----------------------|-----------------------|
| Driver | Constant current (CC) |
| Input voltage | 220-240 V 50/60 Hz |
| Optic | 0 |
| Optic value | Opal |
| CCT / CRI | RGBW40 |
| Dimming type | DMX, DMX/RDM |

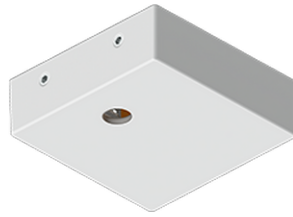
| | |
|------------------------------|---|
| Product colours | Black, White, Matt Silver, Concrete - Urban, Softscape - Urban, Stone - Urban, Corten - Urban, Oak - Woodland, Walnut - Woodland, Pine - Woodland |
| Weight | 6.6 kg |
| Operating temperature | -20 °C to 40 °C |
| Variants (DMX/RDM) | Compatible with EN/ IEC 60598-2-22: Suitable for emergency installations as central supply, non-maintained (Z0) |

OUL-90124



OULU 9 (OUL-90124)**Accessory**

Continuous-coupler bracket
A81781



Supply cable surface mounting
box
A80981



DMX Control System
Control-DMX



DMX/RDM Control System
Control-DMX-RDM