

LADOR 23 (LD-50111)



Product description

Integral control gear - 145x145 mm - Class I



microPrim™

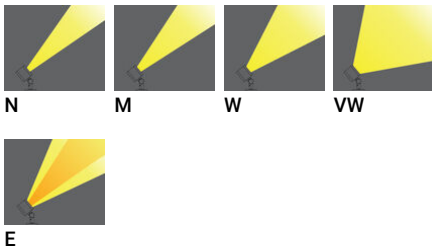
Luminaire Structure

- Die-cast aluminium housing
- Pre-treated before powder coating ensuring high corrosion resistance
- Thermal heat dissipation body
- Adjustable: Tilt 80° (Up) & 40° (Down), Rotation 350°

- Single cable entry
- Stainless steel fasteners in grade 304 with zinc flake coating (ZFC)
- Durable silicone rubber gasket
- High-efficiency PMMA lens

- Clear toughened glass
- Integral control gear

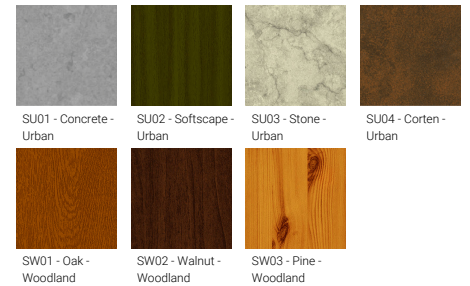
Optic



Product colour



Special finishes upon request



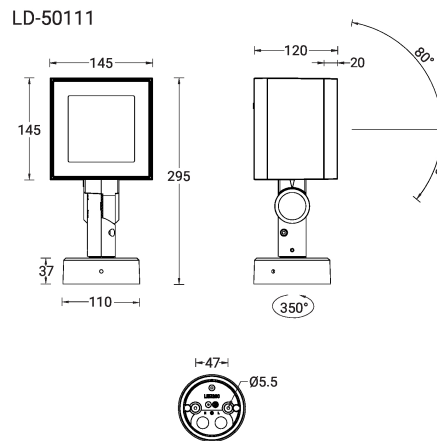
LADOR 23 (LD-50111)

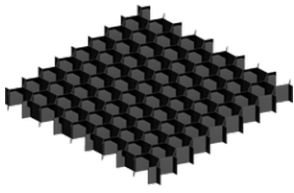
Technical information

Material	Aluminium
Light source	16 LED
Power	35 W
Lumen	3263 - 4110 lm
Efficacy	93 - 117 lm/W
Driver option	Integral control gear
Driver	Constant current (CC)
Input voltage	220-240 V 50/60 Hz

Optic	N, M, W, VW, E
Optic value	10°, 16°, 33°, 72°, 43°x11°
CCT / CRI	3000K CRI80, 4000K CRI80
Bug	B2-U0-G0, B3-U0-G0
ULR	0%, <1%
ULOR	0%, <1%
CIE flux code n°3	100
Dimming type	On/Off, 1-10V, DALI

Product colours	Black, Dark Grey, White, Matt Silver, Bronze, Concrete - Urban, Softscape - Urban, Stone - Urban, Corten - Urban, Oak - Woodland, Walnut - Woodland, Pine - Woodland
Weight	3.5 kg
Operating temperature	-20 °C to 40 °C
EPA (m2)	0.043
Through wiring	Single cable entry
Lens / Reflector / Optic	High-efficiency PMMA lens, Clear toughened glass
Variants (1-10V, DALI)	Compatible with EN/ IEC 60598-2-22: Suitable for emergency installations as central supply, non-maintained (Z0)



LADOR 23 (LD-50111)**Accessory**

Honeycomb louvre
A52121



Linear spread lens
A51414



Mounting belt
A50291



Ground spike
A51041



DALI Control System
Control-DALI



Anti-glare visor
A53131

Please contact the factory for technical details if you wish to use Anti-glare accessories, Colour filters, Lenses and slip glasses in combination.