

LIGHTWAVE 1 (LW-10872)



Product description

Ø258 - 870 mm - Tapered



microPrim™



Luminaire Structure

- Die-cast aluminium housing
- Extruded aluminium column
- Pre-treated before powder coating ensuring high corrosion resistance
- Single cable entry

- One IP68 connector supplied with 0.2 m of 3x1.0 sqmm outdoor cable
- Stainless steel fasteners in grade 304 with zinc flake coating (ZFC)
- Durable silicone rubber gasket
- Clear UV-stabilised polycarbonate diffuser

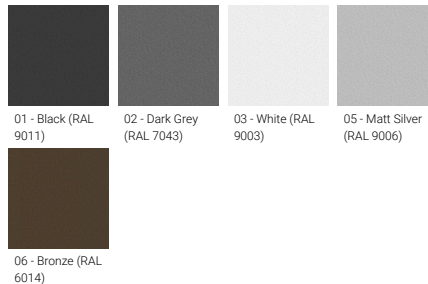
- Anodised, high-purity aluminium reflector
- Integral control gear

Optic

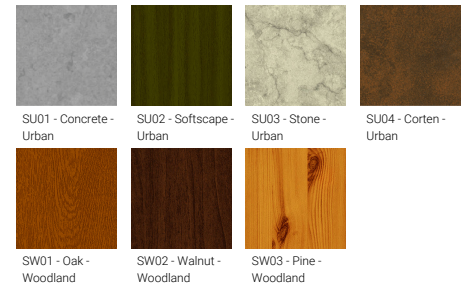


G

Product colour



Special finishes upon request



LIGHTWAVE 1 (LW-10872)

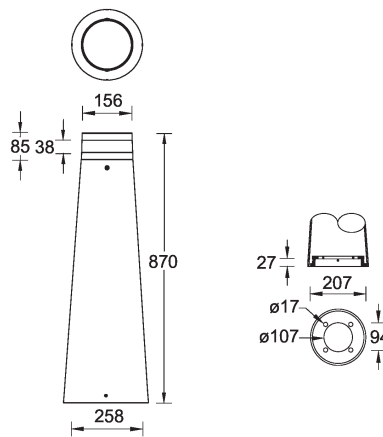
Technical information

Material	Aluminium
Light source	12 LED
Power	27 W
Lumen	448 - 457 lm
Efficacy	16 lm/W
Driver option	Integral control gear
Driver	Constant current (CC)
Input voltage	220-240 V 50/60 Hz

Optic	G
Optic value	180°
CCT / CRI	3000K CRI80, 4000K CRI80
Bug	B0-U3-G1
ULR	18%
ULOR	18%
CIE flux code n°3	62
Dimming type	On/Off, 1-10V, DALI

Product colours	Black, Dark Grey, White, Matt Silver, Bronze, Concrete - Urban, Softscape - Urban, Stone - Urban, Corten - Urban, Oak - Woodland, Walnut - Woodland, Pine - Woodland
Weight	7.7 kg
Operating temperature	-20 °C to 40 °C
Cable	One IP68 connector supplied with 0.2 m of 3x1.0 sqmm outdoor cable
Through wiring	Single cable entry
Lens / Reflector / Optic	Clear UV-stabilised polycarbonate diffuser, Anodised, high-purity aluminium reflector
Variants (1-10V)	Compatible with EN/ IEC 60598-2-22: Suitable for emergency installations as central supply, non-maintained (Z0)

LW-10872



LIGHTWAVE 1 (LW-10872)**Accessory**



Anchor bolt
A10491



DALI Control System
Control-DALI