

**MONDOVA 4 (MO-80012)**



**Product description**

Flat frame

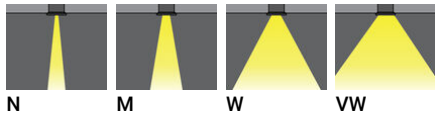


microPrim™

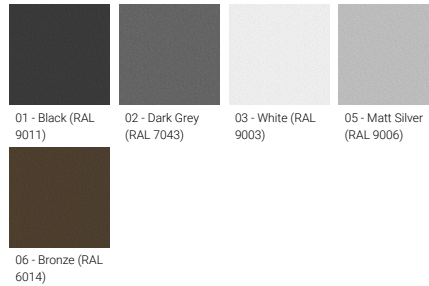
**Luminaire Structure**

- Die-cast aluminium housing
- Pre-treated before powder coating ensuring high corrosion resistance
- Single cable entry
- Stainless steel fasteners in grade 304 with zinc flake coating (ZFC)
- Durable silicone rubber gasket
- Clear toughened glass
- High-efficiency optical reflector
- Integral control gear

**Optic**



**Product colour**



**Special finishes upon request**



**MONDOVA 4 (MO-80012)**

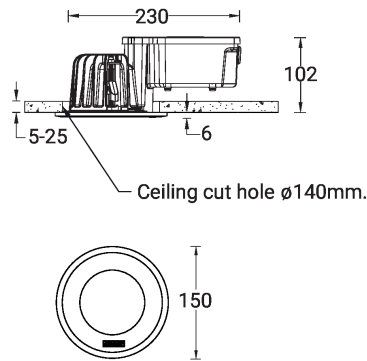
**Technical information**

<b>Material</b>	Aluminium
<b>Light source</b>	1 COB
<b>Power</b>	21 W
<b>Lumen</b>	1726 - 1992 lm
<b>Efficacy</b>	82 - 95 lm/W
<b>Driver option</b>	Integral control gear
<b>Driver</b>	Constant current (CC)
<b>Input voltage</b>	220-240 V 50/60 Hz

<b>Optic</b>	N, M, W, VW
<b>Optic value</b>	18°, 28°, 47°, 70°
<b>CCT / CRI</b>	3000K CRI80, 4000K CRI80
<b>Bug</b>	B1-U0-G0, B2-U1-G0
<b>ULR</b>	0, <1%
<b>ULOR</b>	0, <1%
<b>CIE flux code n°3</b>	100, 99
<b>Dimming type</b>	On/Off, 1-10V, DALI

<b>Product colours</b>	Black, Dark Grey, White, Matt Silver, Bronze, Concrete - Urban, Softscape - Urban, Stone - Urban, Corten - Urban, Oak - Woodland, Walnut - Woodland, Pine - Woodland
<b>Weight</b>	1.2 kg
<b>Operating temperature</b>	-20 °C to 40 °C
<b>Through wiring</b>	Single cable entry
<b>Lens / Reflector / Optic</b>	Clear toughened glass, High-efficiency optical reflector
<b>Variants (On/Off, 1-10V, DALI)</b>	Compatible with EN/ IEC 60598-2-22: Suitable for emergency installations as central supply, non-maintained (Z0)

MO-80012



**MONDOVA 4 (MO-80012)**

**Accessory**

---



---

Concrete box modification upon request  
**CONCRETE-BOX**

---



---

DALI Control System  
**Control-DALI**

---