

**OULU 6** (OUL-80634)



**Product description**

Down - 90° - R1250 - RGBW DMX



microPrim™

**Luminaire Structure**

- Die-cast aluminium end-caps and extruded aluminium profile with powder coating
- Multiple angles available
- Passive thermal management
- Stainless steel fasteners in grade 304 with zinc flake coating (ZFC)

- Opal PMMA diffuser (UGR <19) for glare control
- Integral control gear
- Steel brackets for ceiling down mounting option
- Up and down light distribution options

- Wireless control available through Bluetooth connection

**Optic**



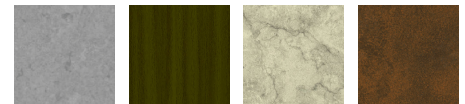
0

**Product colour**



01 - Black (RAL 9011)    03 - White (RAL 9003)    05 - Matt Silver (RAL 9006)

**Special finishes upon request**



SU01 - Concrete - Urban    SU02 - Softscape - Urban    SU03 - Stone - Urban    SU04 - Corten - Urban



SW01 - Oak - Woodland    SW02 - Walnut - Woodland    SW03 - Pine - Woodland

**OULU 6 (OUL-80634)**

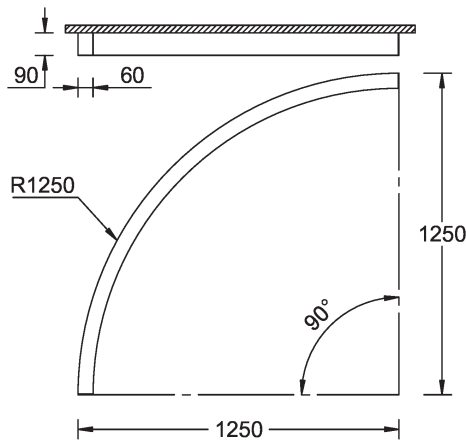
**Technical information**

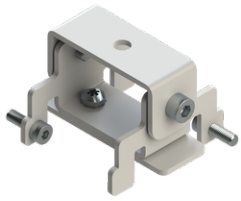
|                      |                       |
|----------------------|-----------------------|
| <b>Material</b>      | Aluminium             |
| <b>Light source</b>  | 672 LED               |
| <b>Power</b>         | 37 W                  |
| <b>Lumen</b>         | 1195 lm               |
| <b>Efficacy</b>      | 32 lm/W               |
| <b>Driver option</b> | Integral control gear |
| <b>Driver</b>        | Constant current (CC) |

|                              |  |
|------------------------------|--|
| <b>Input voltage</b>         | 220-240 V 50/60 Hz   |
| <b>Optic</b>                 | 0  |
| <b>CCT / CRI</b>             | RGBW40   |
| <b>Dimming type</b>          | DMX, DMX/RDM   |
| <b>Product colours</b>       | Black, White, Matt Silver,<br>Concrete - Urban, Softscape<br>- Urban, Stone - Urban,<br>Corten - Urban, Oak -<br>Woodland, Walnut -<br>Woodland, Pine - Woodland |
| <b>Weight</b>                | 4.7 kg   |
| <b>Operating temperature</b> | -20 °C to 40 °C  |

|                                |   |
|--------------------------------|---|
| <b>MacAdam Ellipse</b>         | 7 SDCM  |
| <b>Lifetime L90B10 (hours)</b> | > 23,000  |
| <b>Lifetime L80B10 (hours)</b> | > 45,000  |
| <b>Lifetime L80B50 (hours)</b> | > 49,000  |
| <b>Variants (DMX/RDM)</b>      | Compatible with EN/ IEC 60598-2-22: Suitable for emergency installations as central supply, non-maintained (ZO) |

OUL-80634



**OULU 6** (OUL-80634)**Accessory**

Ceiling-mounting bracket (40 mm profile)  
**A81381**



Continuous-coupler bracket  
**A81781**



DMX Control System  
**Control-DMX**



DMX/RDM Control System  
**Control-DMX-RDM**