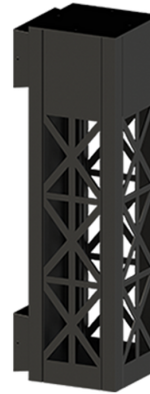


VANCOUVER 29 (VA-30032)



Product description

240x240 mm - 1000 mm - Decorative pattern type 2 - RGBW

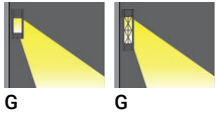


microPrim™

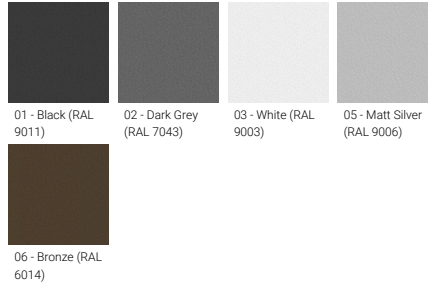
Luminaire Structure

- Die-cast aluminium housing
- Extruded aluminium column
- Pre-treated before powder coating ensuring high corrosion resistance
- Single cable entry
- Stainless steel fasteners in grade 304 with zinc flake coating (ZFC)
- Durable silicone rubber gasket
- Clear toughened glass
- High-efficiency PMMA lens
- Integral control gear

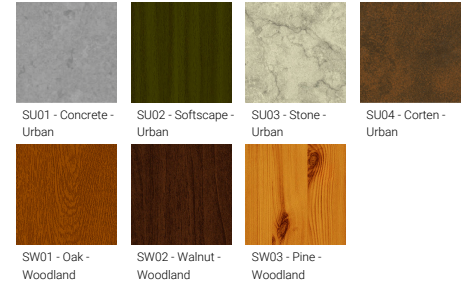
Optic



Product colour



Special finishes upon request



VANCOUVER 29 (VA-30032)

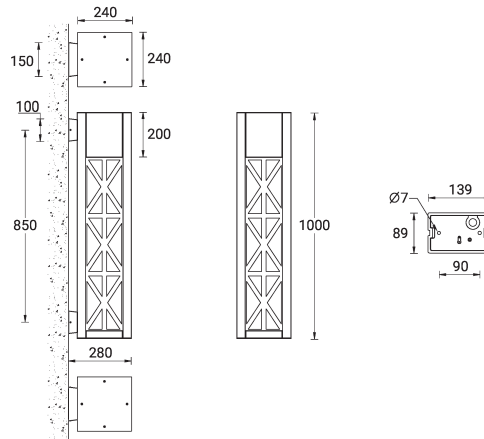
Technical information

Material	Aluminium
Light source	7 LED
Power	33 W
Lumen	1158 lm
Efficacy	35 lm/W
Driver option	Integral control gear
Driver	Constant current (CC)
Input voltage	220-240 V 50/60 Hz

Optic	G
Optic value	56°
CCT / CRI	RGBW30, RGBW40
Bug	B0-U1-G1
ULR	0%
ULOR	0%
CIE flux code n°3	99
Dimming type	DMX, DMX/RDM

Product colours	Black, Dark Grey, White, Matt Silver, Bronze, Concrete - Urban, Softscape - Urban, Stone - Urban, Corten - Urban, Oak - Woodland, Walnut - Woodland, Pine - Woodland
Weight	15.8 kg
Operating temperature	-20 °C to 40 °C
Through wiring	Single cable entry
Lens / Reflector / Optic	Clear toughened glass, High-efficiency PMMA lens
Variants (DMX/RDM)	Compatible with EN/ IEC 60598-2-22: Suitable for emergency installations as central supply, non-maintained (Z0)

VA-30032



VANCOUVER 29 (VA-30032)

Accessory



DMX Control System
Control-DMX



DMX/RDM Control System
Control-DMX-RDM