

**BORNHOLM 3** (BOH-60022) (Version 1)



**Product description**

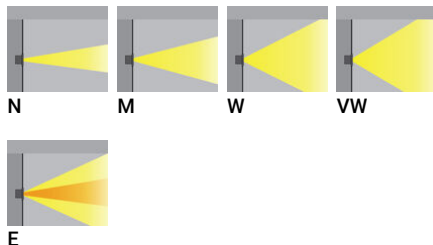
Without remote driver - Constant voltage (CV) 24 V - RGBW



**Luminaire Structure**

- Stainless steel body in grade 316
- Single cable entry
- One cable gland supplied with 2 m of 5x0.75 sqmm outdoor cable
- Stainless steel fasteners in grade 316
- Durable silicone rubber gasket
- Clear toughened glass
- Remote driver (not included)
- Remote box IP-rated is not included and is to be ordered separately for constant current (CC) products
- Recessing box in stainless steel 316 grade
- Luminaire must be submerged when operational
- Maximum depth 2 m
- Outdoor cable needs to be ordered with a specific length
- Maximum distance of the Remote DMX/RDM decoder is 8 m

**Optic**



**Product colour**



**BORNHOLM 3** (BOH-60022) (Version 1)

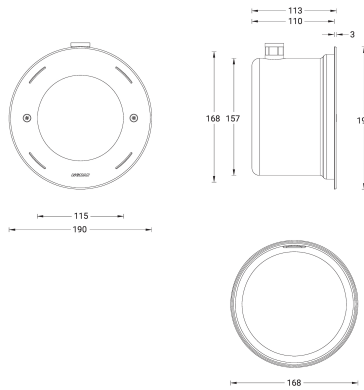
**Technical information**

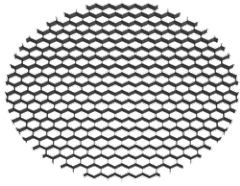
<b>Material</b>	Stainless Steel
<b>Light source</b>	8 LED
<b>Power</b>	15 W
<b>Lumen</b>	853 - 1133 lm
<b>Efficacy</b>	57 - 76 lm/W
<b>Driver option</b>	Remote driver (not included)
<b>Driver</b>	Constant voltage (CV)
<b>Input voltage</b>	24 VDC

<b>Optic</b>	N, M, W, VW, E
<b>Optic value</b>	11°, 17°, 32°, 71°, 14°x43°
<b>CCT / CRI</b>	RGBW30, RGBW40
<b>Bug</b>	B1-U0-G0, B2-U0-G0
<b>ULR</b>	<1%
<b>ULOR</b>	<1%
<b>CIE flux code n°3</b>	100
<b>Dimming type</b>	DMX, DMX/RDM

<b>Product colours</b>	Stainless Steel
<b>Weight</b>	2.3 kg
<b>Operating temperature</b>	-20 °C to 40 °C
<b>Cable</b>	One cable gland supplied with 2 m of 5x0.75 sqmm outdoor cable
<b>Through wiring</b>	Single cable entry
<b>Lens / Reflector / Optic</b>	Clear toughened glass

BOH-60022



**BORNHOLM 3** (BOH-60022) (Version 1)**Accessory**

Honeycomb louvre  
**A52421**



DMX Control System  
**Control-DMX**



DMX/RDM Control System  
**Control-DMX-RDM**



Driver (CV) - On/Off - 36 W - IP67  
- 24 V  
**A34491-ND**



Driver (CV) - On/Off - 60 W - IP67  
- 24 V  
**A34591-ND**



Driver (CV) - On/Off - 100 W -  
IP67 - 24 V  
**A34791-ND**



Driver (CV) - On/Off - 150 W -  
IP67 - 24 V  
**A34891-ND**



Driver (CV) - On/Off - 200 W -  
IP67 - 24 V  
**A34991-ND**



Driver (CV) - On/Off - 350 W -  
IP67 - 24 V  
**A35091-ND**