

JET 57 (JE-10573)



Product description

Ø102 - 1000 mm - 1 side - Round



Luminaire Structure

- Die-cast aluminium housing
- Extruded aluminium column
- Pre-treated before powder coating ensuring high corrosion resistance
- Single cable entry

- One IP68 connector supplied with 0.2 m of 3x1.0 sqmm outdoor cable
- Stainless steel fasteners in grade 304 with zinc flake coating (ZFC)
- Durable silicone rubber gasket
- High-efficiency optical reflector

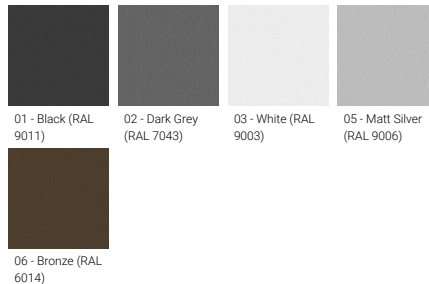
- Clear toughened glass
- Integral control gear

Optic

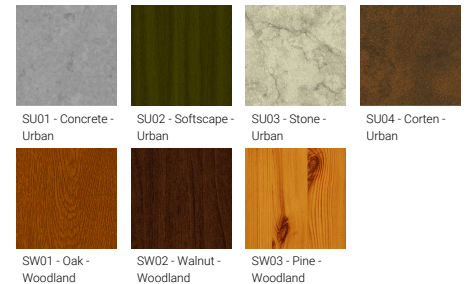


VW

Product colour



Special finishes upon request



JET 57 (JE-10573)

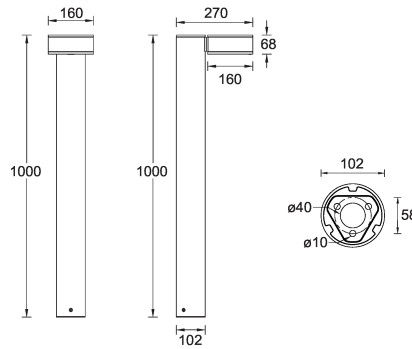
Technical information

Material	Aluminium
Light source	1 COB
Power	15 W
Lumen	1039 - 1119 lm
Efficacy	74 - 80 lm/W
Driver option	Integral control gear
Driver	Constant current (CC)
Input voltage	220-240 V 50/60 Hz
Optic	VW

Optic value	74°
CCT / CRI	2700K CRI80, 3000K CRI80, 4000K CRI80
Bug	B1-U1-G0
ULR	1%
ULOR	1%
CIE flux code n°3	99
Dimming type	On/Off, 1-10V, DALI
Product colours	Black, Dark Grey, White, Matt Silver, Bronze, Concrete - Urban, Softscape - Urban, Stone - Urban, Corten - Urban, Oak - Woodland, Walnut - Woodland, Pine - Woodland
Weight	5.4 kg

Operating temperature	-20 °C to 50 °C
Cable	One IP68 connector supplied with 0.2 m of 3x1.0 sqmm outdoor cable
Through wiring	Single cable entry
Lens / Reflector / Optic	High-efficiency optical reflector, Clear toughened glass
MacAdam Ellipse Lifetime L90B10 (hours)	3 SDCM > 55,000
Variants (On/Off, 1-10V, DALI)	Compatible with EN/ IEC 60598-2-22: Suitable for emergency installations as central supply, non-maintained (Z0)

JE-10573



Accessory



Anchor bolt
A10791



DALI Control System
Control-DALI