

LADOR 22 (LD-50101)



Product description

Integral control gear - 120x120 mm - Class I



microPrim™

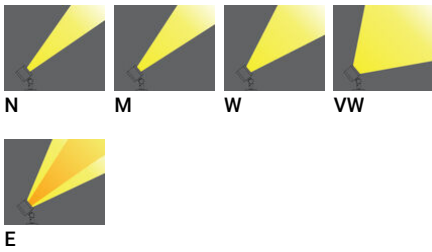
Luminaire Structure

- Die-cast aluminium housing
- Pre-treated before powder coating ensuring high corrosion resistance
- Thermal heat dissipation body
- Adjustable: Tilt 80° (Up) & 40° (Down), Rotation 350°

- Single cable entry
- Stainless steel fasteners in grade 304 with zinc flake coating (ZFC)
- Durable silicone rubber gasket
- High-efficiency PMMA lens

- Clear toughened glass
- Integral control gear

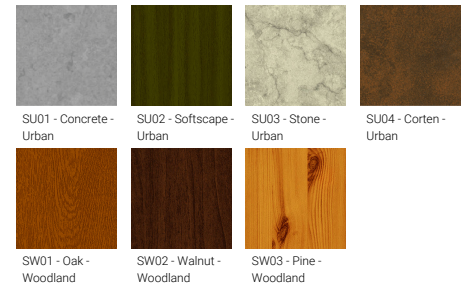
Optic



Product colour



Special finishes upon request



LADOR 22 (LD-50101)

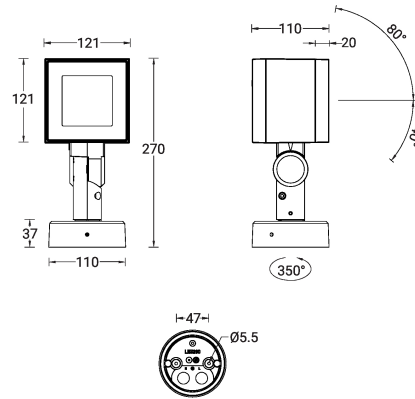
Technical information

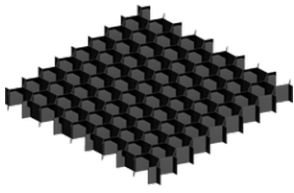
Material	Aluminium
Light source	9 LED
Power	21 W
Lumen	1921 - 2364 lm
Efficacy	91 - 113 lm/W
Driver option	Integral control gear
Driver	Constant current (CC)
Input voltage	220-240 V 50/60 Hz
Optic	N, M, W, VW, E

Optic value	10°, 17°, 34°, 70°, 43°x11°
CCT / CRI	3000K CRI80, 4000K CRI80
Bug	B2-U0-G0, B3-U0-G0
ULR	0%, <1%
ULOR	0%, <1%
CIE flux code n°3	100
Dimming type	On/Off, DALI
Product colours	Black, Dark Grey, White, Matt Silver, Bronze, Concrete - Urban, Softscape - Urban, Stone - Urban, Corten - Urban, Oak - Woodland, Walnut - Woodland, Pine - Woodland
Weight	2.7 kg

Operating temperature	-20 °C to 40 °C
EPA (m2)	0.026
Through wiring	Single cable entry
Lens / Reflector / Optic	High-efficiency PMMA lens, Clear toughened glass
MacAdam Ellipse	3 SDCM
Lifetime L90B10 (hours)	> 120,000
Lifetime L80B10 (hours)	> 120,000
Lifetime L80B50 (hours)	> 120,000
Variants (On/Off, DALI)	Compatible with EN/ IEC 60598-2-22: Suitable for emergency installations as central supply, non-maintained (Z0)

LD-50101



LADOR 22 (LD-50101)**Accessory**

Honeycomb louvre
A52021



Linear spread lens
A51314



Mounting belt
A50291



Ground spike
A51041



DALI Control System
Control-DALI



Anti-glare visor
A53031

Please contact the factory for technical details if you wish to use Anti-glare accessories, Colour filters, Lenses and slip glasses in combination.