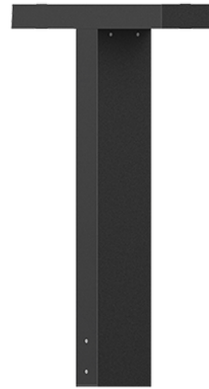


LIGHT LINEAR PT 2 (LI-10032-SB)



Product description

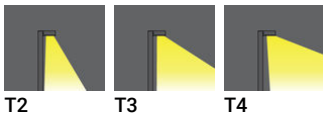
200x80 mm - 1000 mm - 2 sides - With integrated security core (Anti-traffic)



Luminaire Structure

- Die-cast aluminium housing
- Extruded aluminium column
- Pre-treated before powder coating ensuring high corrosion resistance
- Single cable entry
- One IP68 connector supplied with 0.2 m of 3x1.0 sqmm outdoor cable
- Stainless steel fasteners in grade 304 with zinc flake coating (ZFC)
- Durable silicone rubber gasket
- Clear toughened glass
- High-efficiency PMMA lens
- Integral control gear

Optic



Product colour



Special finishes upon request



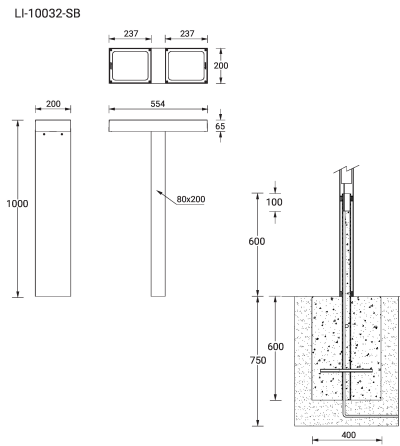
LIGHT LINEAR PT 2 (LI-10032-SB)

Technical information

Light source	2 x 24 LED
Power	108 W
Lumen	10410 - 11946 lm
Efficacy	96 - 111 lm/W
Driver option	Integral control gear
Driver	Constant current (CC)
Input voltage	220-240 V 50/60 Hz
Optic	T2, T3, T4
Optic value	140°x45°, 150°x66°, 118°x75°

CCT / CRI	2700K CRI80, 3000K CRI80, 4000K CRI80
Bug	B1-U0-G1, B1-U3-G1
ULR	<1%
ULOR	<1%
CIE flux code n°3	96, 97, 98
Dimming type	On/Off, 1-10V, DALI
Product colours	Black, Dark Grey, White, Matt Silver, Bronze, Concrete - Urban, Softscape - Urban, Stone - Urban, Corten - Urban, Oak - Woodland, Walnut - Woodland, Pine - Woodland
Weight	42.9 kg
Operating temperature	-20 °C to 40 °C

Cable	One IP68 connector supplied with 0.2 m of 3x1.0 sqmm outdoor cable
Through wiring	Single cable entry
Lens / Reflector / Optic	Clear toughened glass, High-efficiency PMMA lens
MacAdam Ellipse	3 SDCM
Lifetime L90B10 (hours)	> 90,000
Lifetime L80B10 (hours)	> 90,000
Lifetime L80B50 (hours)	> 90,000
Variants (On/Off, 1-10V, DALI)	Compatible with EN/ IEC 60598-2-22: Suitable for emergency installations as central supply, non-maintained (Z0)



LIGHT LINEAR PT 2 (LI-10032-SB)

Accessory



DALI Control System
Control-DALI
