

LYCKSELE 1 (LY-20001)



Product description

3 projectors - Supplied with specific 6 m square, straight aluminium pole: APC160193-LY

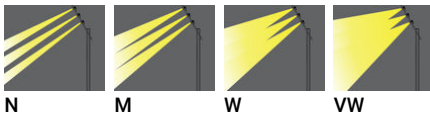


microPrim™

Luminaire Structure

- Die-cast aluminium housing
- Extruded aluminium column and arm
- Pre-treated before powder coating ensuring high corrosion resistance
- Single cable entry
- One IP68 connector supplied with 0.3 m of 3x1.0 sqmm outdoor cable
- Stainless steel fasteners in grade 304 with zinc flake coating (ZFC)
- Durable silicone rubber gasket
- Clear toughened glass
- High-efficiency optical reflector
- Integral control gear
- Maximum wind load resistance is 140 km/h
- Surge protection 10kV

Optic



Product colour



Special finishes upon request



LYCKSELE 1 (LY-20001)

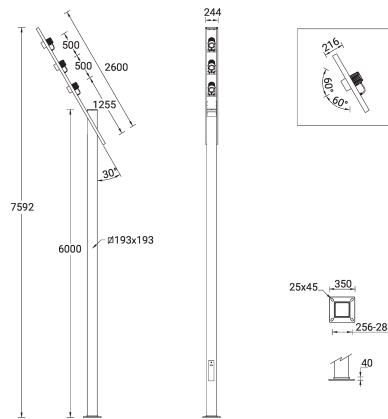
Technical information

Material	Aluminium
Light source	1 COB
Power	108 W
Lumen	8814 - 10374 lm
Efficacy	82 - 96 lm/W
Driver option	Integral control gear
Driver	Constant current (CC)
Input voltage	220-240 V 50/60 Hz
Optic	N, M, W, VW

Optic value	18°, 27°, 47°, 70°
CCT / CRI	3000K CRI80, 4000K CRI80
Bug	B2-U1-G0, B3-U1-G0
ULR	<1%
ULOR	<1%
CIE flux code n°3	100, 99
Dimming type	On/Off, DALI
Product colours	Black, Dark Grey, White, Matt Silver, Bronze, Concrete - Urban, Softscape - Urban, Stone - Urban, Corten - Urban, Oak - Woodland, Walnut - Woodland, Pine - Woodland
Weight	68.3 kg

Operating temperature	-20 °C to 40 °C
Cable	One IP68 connector supplied with 0.3 m of 3x1.0 sqmm outdoor cable
Through wiring	Single cable entry
Lens / Reflector / Optic	Clear toughened glass, High-efficiency optical reflector
MacAdam Ellipse	3 SDCM
Lifetime L90B10 (hours)	> 55,000
Variants (DALI)	Compatible with EN/ IEC 60598-2-22: Suitable for emergency installations as central supply, non-maintained (Z0)

LY-20001



LYCKSELE 1 (LY-20001)**Accessory**



Root mount kit
A21091



Circuit breaker box IP44
A21291



DALI Control System
Control-DALI

Pole (required)



6 m - Square, straight aluminium
pole for LYCKSELE
APC160193-LY