

NIKON 2 (NI-80511-S)



Product description

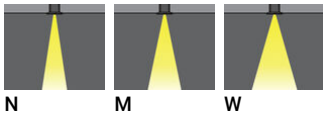
With remote box IP-rated / remote driver - Square - Stainless steel frame



Luminaire Structure

- Die-cast aluminium housing
- Pre-treated before powder coating ensuring high corrosion resistance
- 6 mm thick front ring in stainless steel or aluminium
- Single cable entry
- Stainless steel fasteners in grade 304 with zinc flake coating (ZFC)
- Durable silicone rubber gasket
- Clear toughened glass
- Remote driver (included)

Optic



Product colour



00 - Stainless Steel

NIKON 2 (NI-80511-S)

Technical information

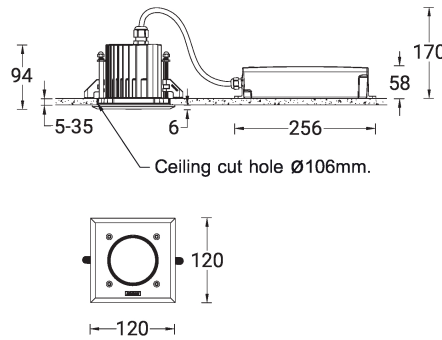
Material	Stainless Steel
Light source	7 LED
Power	13 W
Lumen	888 - 1045 lm
Efficacy	68 - 80 lm/W
Driver option	Remote driver (included)
Driver	Constant current (CC)
Input voltage	220-240 V 50/60 Hz
Optic	N, M, W

Optic value	18°, 28°, 39°
CCT / CRI	3000K CRI80, 4000K CRI80
Bug	B1-U0-G0
ULR	<1%
ULOR	<1%
CIE flux code n°3	100
Dimming type	On/Off, 1-10V, DALI
Product colours	Stainless Steel
Weight	0.8 kg

Operating temperature	-20 °C to 50 °C
Through wiring	Single cable entry
Lens / Reflector / Optic	Clear toughened glass
MacAdam Ellipse	3 SDCM
Lifetime L90B10 (hours)	> 120,000
Lifetime L80B10 (hours)	> 120,000
Lifetime L80B50 (hours)	> 120,000

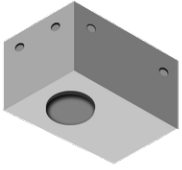
Variants (On/Off, 1-10V, DALI)
 Compatible with EN/ IEC 60598-2-22: Suitable for emergency installations as central supply, non-maintained (ZO)

NI-80511-S



NIKON 2 (NI-80511-S)

Accessory



Concrete box modification upon request
CONCRETE-BOX



DALI Control System
Control-DALI
