

PITTSFIELD 4 (PIT-90111)



Product description

Down (Optic) & Up (Optic 2nd) - 1060 mm



microPrim™

Luminaire Structure

- Extruded aluminium bended profile with powder coating
- Passive thermal management
- Stainless steel fasteners in grade 304 with zinc flake coating (ZFC)
- PMMA diffuser with Opal (UGR <19) and micro prismatic (UGR <13) options for better glare control

- Integral control gear
- Stainless steel, adjustable, suspension (1.5 m) complete with electrical wires in white for mounting
- Up and down light distribution options
- Wireless control available through Bluetooth connection

- Daylight and occupancy sensor options
- Emergency module (1 or 3 hours) is available upon request with 3 options (BASIC, SELF-TEST, PRO-DALI)

Product colour



01 - Black (RAL 9011) 03 - White (RAL 9003) 05 - Matt Silver (RAL 9006)

Special finishes upon request



SU01 - Concrete - Urban SU02 - Softscape - Urban SU03 - Stone - Urban SU04 - Corten - Urban



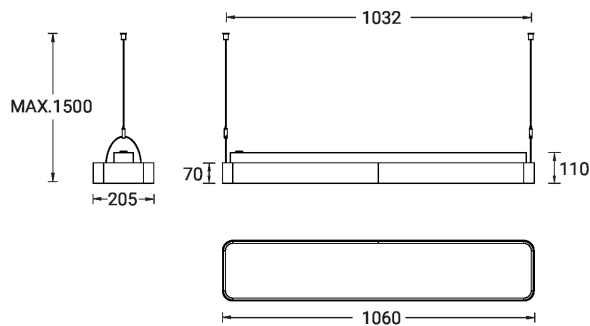
SW01 - Oak - Woodland SW02 - Walnut - Woodland SW03 - Pine - Woodland

PITTSFIELD 4 (PIT-90111)

Technical information

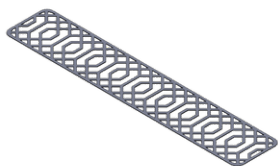
| | | | | | |
|----------------------|-----------------------|--------------------------|--------------------------|---------------------------------------|---|
| Material | Aluminium | Optic value | 107°, 93° | Product colours | Black, White, Matt Silver, Concrete - Urban, Softscape - Urban, Stone - Urban, Corten - Urban, Oak - Woodland, Walnut - Woodland, Pine - Woodland |
| Light source | 432 & 240 LED | Optic (2nd) | 0 | | |
| Power | 57 W | Optic (2nd) value | 105° | Weight | 5.2 kg |
| Lumen | 5392 - 5921 lm | CCT / CRI | 3000K CRI80, 4000K CRI80 | | |
| Driver option | Integral control gear | Bug | B1-U5-G1, B2-U5-G1 | Operating temperature | -20 °C to 40 °C |
| Driver | Constant current (CC) | ULR | 44%, 46% | | |
| Input voltage | 220-240 V 50/60 Hz | ULOR | 44%, 46% | MacAdam Ellipse | 3 SDCM |
| Optic | O, P | Dimming type | On/Off, 1-10V, DALI | | |
| | | | | Variants (On/Off, 1-10V, DALI) | Compatible with EN/ IEC 60598-2-22: Suitable for emergency installations as central supply, non-maintained (Z0) |
| | | | | | |
| | | | | | |
| | | | | | |

PIT-90111

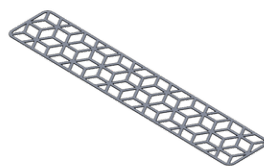


PITTSFIELD 4 (PIT-90111)**Accessory**

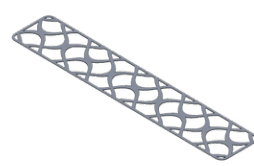
Supply cable surface mounting
box
A80981



Decorative pattern - Type A for
PITTSFIELD 1060 mm
A92021



Decorative pattern - Type B for
PITTSFIELD 1060 mm
A93421



Decorative pattern - Type C for
PITTSFIELD 1060 mm
A94821



Wireless bluetooth converter
A90291



Xpress wireless switch
A90591



DALI Control System
Control-DALI