

QUANTUM 2 (QA-50015)



Product description

Medium - RGBW



microVos microPrim™

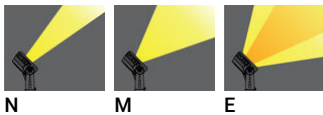
Luminaire Structure

- Die-cast aluminium housing
- Pre-treated before powder coating ensuring high corrosion resistance
- Single cable entry, through wiring upon request
- Three IP68 connectors supplied with 0.2 m of 3x1.0 sqmm outdoor cable and 2x0.2 m of 2x0.5 sqmm outdoor shielded cable

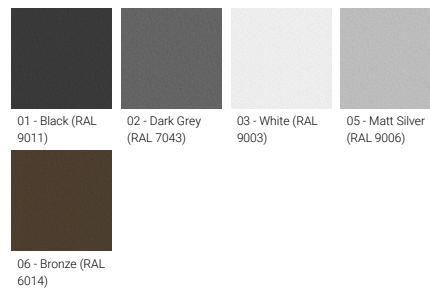
- Stainless steel fasteners in grade 304 with zinc flake coating (ZFC)
- Durable silicone rubber gasket
- High-efficiency PMMA lens
- Clear toughened glass

- Integral control gear

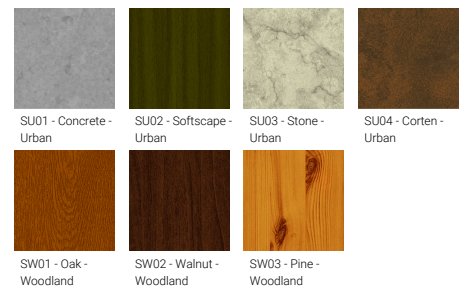
Optic



Product colour



Special finishes upon request



QUANTUM 2 (QA-50015)

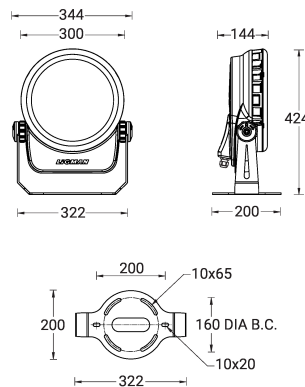
Technical information

Material	Aluminium
Light source	18 LED
Power	77 W
Lumen	2900 - 3580 lm
Efficacy	38 - 46 lm/W
Driver option	Integral control gear
Driver	Constant current (CC)
Input voltage	220-240 V 50/60 Hz

Optic	N, M, E
Optic value	20°, 35°, 25° x 48°
CCT / CRI	RGBW30, RGBW40
Bug	B3-U1-G0
ULR	<1%
ULOR	<1%
CIE flux code n°3	100
Dimming type	DMX/RDM

Product colours	Black, Dark Grey, White, Matt Silver, Bronze, Concrete - Urban, Softscape - Urban, Stone - Urban, Corten - Urban, Oak - Woodland, Walnut - Woodland, Pine - Woodland
Weight	8.5 kg
Operating temperature	-20 °C to 40 °C
EPA (m2)	0.146
Cable	Three IP68 connectors supplied with 0.2 m of 3x1.0 sqmm outdoor cable and 2x0.2 m of 2x0.5 sqmm outdoor shielded cable
Through wiring	Single cable entry, through wiring upon request
Lens / Reflector / Optic	High-efficiency PMMA lens, Clear toughened glass
Variants (DMX/RDM)	Compatible with EN/ IEC 60598-2-22: Suitable for emergency installations as central supply, non-maintained (Z0)

QA-50015



QUANTUM 2 (QA-50015)

Accessory



DMX Control System
Control-DMX



DMX/RDM Control System
Control-DMX-RDM