

FORREY 8 (FOR-10132)



Product description

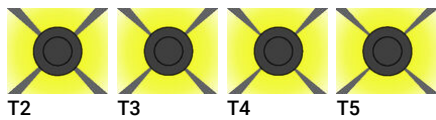
Ø186 - 1179 mm - With louver



Luminaire Structure

- Die-cast aluminium housing and frame
- Extruded aluminium column
- Pre-treated before powder coating ensuring high corrosion resistance
- Models with shade will have colour white coating at inside of shade luminaire and outside surface coating according to colour of luminaire
- Single cable entry
- One IP68 connector supplied with 0.2 m of 3x1.0 sqmm outdoor cable
- Stainless steel fasteners in grade 304 with zinc flake coating (ZFC)
- Durable silicone rubber gasket
- High-efficiency PMMA lens
- Integral control gear
- FORREY luminaires with opal lens and colder than 3000K CCT do not meet the IDA certification requirements

Optic



Product colour



Special finishes upon request



FORREY 8 (FOR-10132)

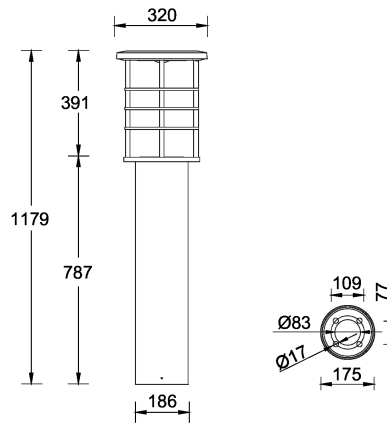
Technical information

| | |
|----------------------|-----------------------|
| Material | Aluminium |
| Light source | 1 COB |
| Power | 48 W |
| Lumen | 3191 - 3711 lm |
| Efficacy | 67 - 78 lm/W |
| Driver option | Integral control gear |
| Driver | Constant current (CC) |
| Input voltage | 220-240 V 50/60 Hz |

| | |
|------------------------------|----------------------------------------------------------------------------------------------------------------------------------------------------------------------|
| Optic | T2, T3, T4, T5 |
| Optic value | 140°x100°, 132°x103°, 137°x117°, 73° |
| CCT / CRI | 3000K CRI80, 4000K CRI80 |
| Dimming type | On/Off, 1-10V, DALI |
| Product colours | Black, Dark Grey, White, Matt Silver, Bronze, Concrete - Urban, Softscape - Urban, Stone - Urban, Corten - Urban, Oak - Woodland, Walnut - Woodland, Pine - Woodland |
| Weight | 12.5 kg |
| Operating temperature | -20 °C to 40 °C |
| Cable | One IP68 connector supplied with 0.2 m of 3x1.0 sqmm outdoor cable |

| | |
|---------------------------------|-----------------------------------------------------------------------------------------------------------------|
| Through wiring | Single cable entry |
| Lens / Reflector / Optic | High-efficiency PMMA lens |
| MacAdam Ellipse | 3 SDCM |
| Lifetime L90B10 (hours) | > 50,700 |
| Lifetime L80B10 (hours) | > 63,500 |
| Lifetime L80B50 (hours) | > 63,500 |
| Variants (DALI) | Compatible with EN/ IEC 60598-2-22: Suitable for emergency installations as central supply, non-maintained (Z0) |

FOR-10132



FORREY 8 (FOR-10132)

Accessory



Anchor bolt
A10391



Power connection box (IP65)
modification upon request
POWER-BOX-IP65



DALI Control System
Control-DALI