

FORREY 32 (FOR-95062)



Product description

Ø320 - 1224 mm - With louver

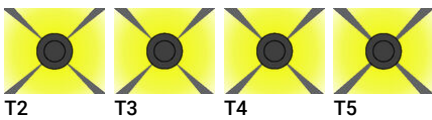


microPrim™

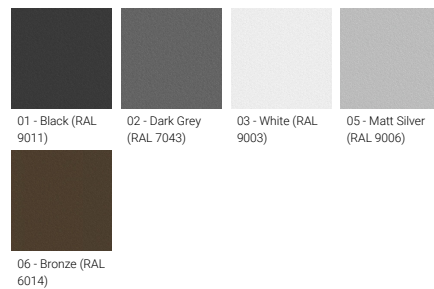
Luminaire Structure

- Die-cast aluminium housing and frame
- Pre-treated before powder coating ensuring high corrosion resistance
- Models with shade will have colour white coating at inside of shade luminaire and outside surface coating according to colour of luminaire
- Two cable entries for through wiring
- Stainless steel fasteners in grade 304 with zinc flake coating (ZFC)
- Durable silicone rubber gasket
- High-efficiency PMMA lens
- Integral control gear
- FORREY luminaires with opal lens and colder than 3000K CCT do not meet the IDA certification requirements

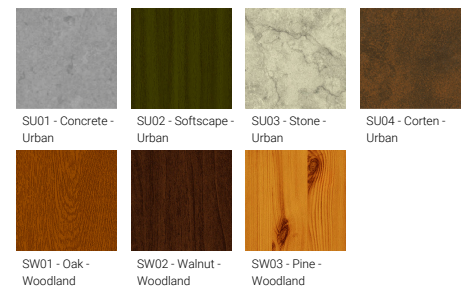
Optic



Product colour



Special finishes upon request



FORREY 32 (FOR-95062)

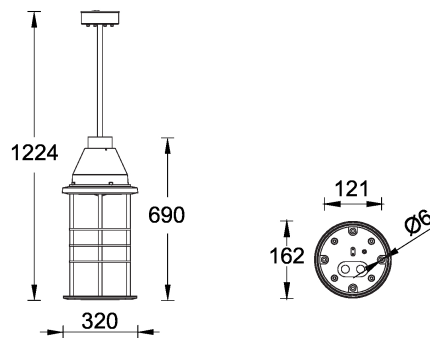
Technical information

Material	Aluminium
Light source	1 COB
Power	70 W
Lumen	5976 - 6603 lm
Efficacy	86 - 95 lm/W
Driver option	Integral control gear
Driver	Constant current (CC)
Input voltage	220-240 V 50/60 Hz
Optic	T2, T3, T4, T5

Optic value	145°x84°, 126°x106°, 133°x116°, 163°
CCT / CRI	3000K CRI80, 4000K CRI80
Bug	B3-U2-G1, B3-U3-G3
ULR	1%
ULOR	1%
CIE flux code n°3	93, 95, 96
Dimming type	On/Off, 1-10V, DALI
Product colours	Black, Dark Grey, White, Matt Silver, Bronze, Concrete - Urban, Softscape - Urban, Stone - Urban, Corten - Urban, Oak - Woodland, Walnut - Woodland, Pine - Woodland
Weight	10.0 kg

Operating temperature	-20 °C to 50 °C
EPA (m2)	0.238
Through wiring	Two cable entries for through wiring
Lens / Reflector / Optic	High-efficiency PMMA lens
MacAdam Ellipse	3 SDCM
Lifetime L90B10 (hours)	> 50,700
Lifetime L80B10 (hours)	> 63,500
Lifetime L80B50 (hours)	> 63,500
Variants (On/Off, 1-10V, DALI)	Compatible with EN/ IEC 60598-2-22: Suitable for emergency installations as central supply, non-maintained (Z0)

FOR-95062



FORREY 32 (FOR-95062)

Accessory



DALI Control System
Control-DALI
