

LBX 4 (LB-40448)



Product description

With spring clamp / remote driver - Constant current (CC) 500 mA - Class III



microPrim™



Luminaire Structure

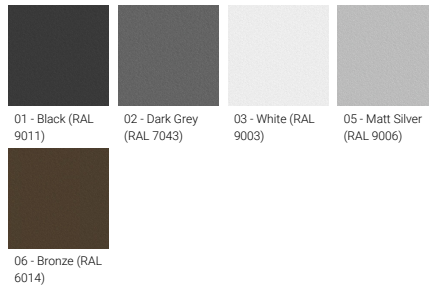
- Die-cast aluminium housing
- Pre-treated before powder coating ensuring high corrosion resistance
- Single cable entry
- One cable gland supplied with 0.3 m of 3x0.5 sqmm outdoor cable
- Stainless steel fasteners in grade 304 with zinc flake coating (ZFC)
- Durable silicone rubber gasket
- Clear toughened glass
- Remote driver (included)
- Recessing box is included

Optic

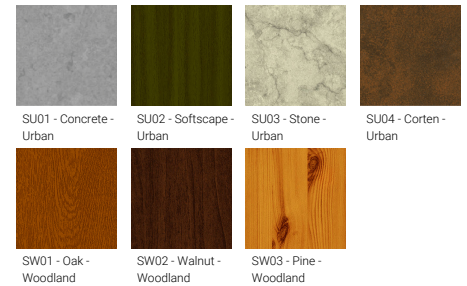


G

Product colour



Special finishes upon request

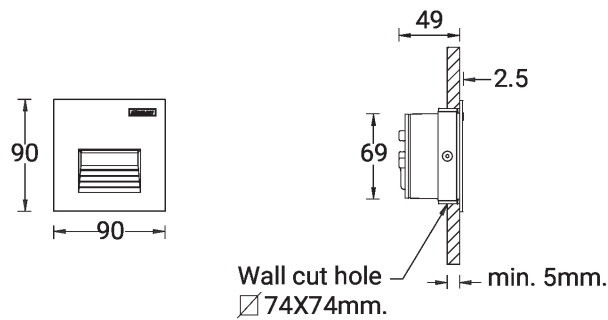


LBX 4 (LB-40448)

Technical information

Material	Aluminium	Optic value	34° x 68°	Operating temperature	-20 °C to 40 °C
Light source	1 LED	CCT / CRI	3000K CRI80, 4000K CRI80	Cable	One cable gland supplied with 0.3 m of 3x0.5 sqmm outdoor cable
Power	2 W	Bug	B0-U1-G0	Through wiring	Single cable entry
Lumen	39 lm	ULR	4%	Lens / Reflector / Optic	Clear toughened glass
Efficacy	20 lm/W	ULOR	4%	MacAdam Ellipse	3 SDCM
Driver option	Remote driver (included)	CIE flux code n°3	97	Lifetime L90B10 (hours)	> 120,000
Driver	Constant current (CC)	Dimming type	On/Off, 1-10V, DALI	Lifetime L80B10 (hours)	> 120,000
Input voltage	500 mA, 3VDC	Product colours	Black, Dark Grey, White, Matt Silver, Bronze, Concrete - Urban, Softscape - Urban, Stone - Urban, Corten - Urban, Oak - Woodland, Walnut - Woodland, Pine - Woodland	Lifetime L80B50 (hours)	> 120,000
Optic	G			Variants (On/Off, 1-10V, DALI)	Compatible with EN/ IEC 60598-2-22: Suitable for emergency installations as central supply, non-maintained (Z0)
Weight	0.3 kg				

LB-40448



LBX 4 (LB-40448)**Accessory**



Remote box IP65
A80191



Driver (CC) - On/Off - 20 W - IP20
- 700 mA max
A32691-ND



Driver (CC) - 1-10V - 10 W - IP20 -
700 mA max
A35191-DI



Driver (CC) - DALI - 10 W - IP20 -
700 mA max
A35191-DA
