

**LADOR 50 (LD-30041) (Version 1)**



**Product description**

With remote driver IP-rated - Constant voltage (CV) 24 V - 62x62 mm - Class III - RGBW

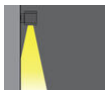


microPrim™

**Luminaire Structure**

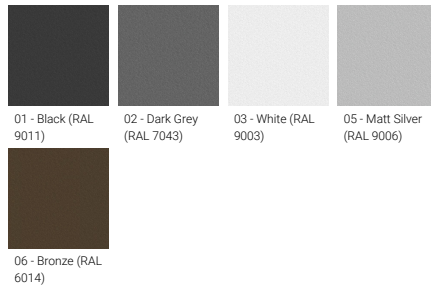
- Die-cast aluminium housing
- Pre-treated before powder coating ensuring high corrosion resistance
- Thermal heat dissipation body
- Single cable entry, through wiring upon request
- One cable gland supplied with 0.2 m of 5x1.0 sqmm outdoor cable
- Stainless steel fasteners in grade 304 with zinc flake coating (ZFC)
- Durable silicone rubber gasket
- Clear toughened glass
- High-efficiency PMMA lens
- Remote driver (included)
- Optional surface mounting box for easy wiring or conduit connection when wiring from behind is not possible

**Optic**

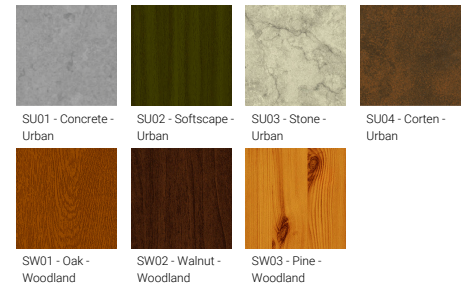


M

**Product colour**



**Special finishes upon request**



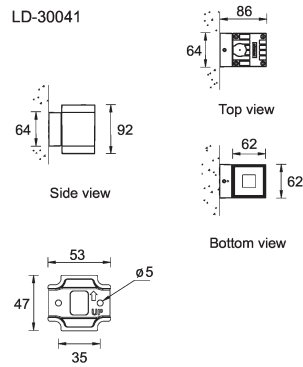
**LADOR 50 (LD-30041) (Version 1)**

**Technical information**

<b>Material</b>	Aluminium
<b>Light source</b>	1 LED
<b>Power</b>	4 W
<b>Lumen</b>	166 - 170 lm
<b>Efficacy</b>	42 - 43 lm/W
<b>Driver option</b>	Remote driver (included)
<b>Driver</b>	Constant voltage (CV)
<b>Input voltage</b>	24 VDC

<b>Optic</b>	M
<b>Optic value</b>	34°
<b>CCT / CRI</b>	RGBW30, RGBW40
<b>ULR</b>	<1%
<b>ULOR</b>	<1%
<b>CIE flux code n°3</b>	100
<b>Dimming type</b>	DMX, DMX/RDM
<b>Product colours</b>	Black, Dark Grey, White, Matt Silver, Bronze, Concrete - Urban, Softscape - Urban, Stone - Urban, Corten - Urban, Oak - Woodland, Walnut - Woodland, Pine - Woodland

<b>Weight</b>	0.8 kg
<b>Operating temperature</b>	-20 °C to 40 °C
<b>Cable</b>	One cable gland supplied with 0.2 m of 5x1.0 sqmm outdoor cable
<b>Through wiring</b>	Single cable entry, through wiring upon request
<b>Lens / Reflector / Optic</b>	Clear toughened glass, High-efficiency PMMA lens
<b>Variants (DMX/RDM)</b>	Compatible with EN/ IEC 60598-2-22: Suitable for emergency installations as central supply, non-maintained (Z0)



**LADOR 50** (LD-30041) (Version 1)

**Accessory**

---



DMX Control System  
**Control-DMX**



DMX/RDM Control System  
**Control-DMX-RDM**