

FORREY 23 (FOR-30061)



Product description

Ø320 - 885 mm



microPrim™

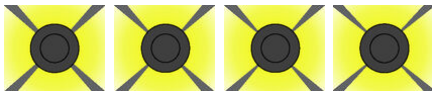


DARKSKY APPROVED
Reduces light pollution
Certified by DarkSky.org

Luminaire Structure

- Die-cast aluminium housing and frame
- Pre-treated before powder coating ensuring high corrosion resistance
- Models with shade will have colour white coating at inside of shade luminaire and outside surface coating according to colour of luminaire
- Two cable entries for through wiring
- Stainless steel fasteners in grade 304 with zinc flake coating (ZFC)
- Durable silicone rubber gasket
- High-efficiency PMMA lens
- Integral control gear
- FORREY luminaires with opal lens and colder than 3000K CCT do not meet the IDA certification requirements

Optic



T2 T3 T4 T5

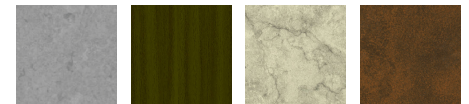
Product colour



01 - Black (RAL 9011) 02 - Dark Grey (RAL 7043) 03 - White (RAL 9003) 05 - Matt Silver (RAL 9006)

06 - Bronze (RAL 6014)

Special finishes upon request



SU01 - Concrete - Urban SU02 - Softscape - Urban SU03 - Stone - Urban SU04 - Corten - Urban



SW01 - Oak - Woodland SW02 - Walnut - Woodland SW03 - Pine - Woodland

FORREY 23 (FOR-30061)

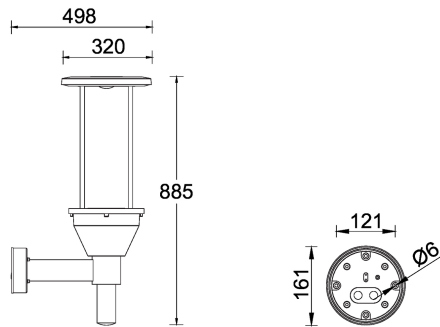
Technical information

| | |
|----------------------|-----------------------|
| Material | Aluminium |
| Light source | 1 COB |
| Power | 70 W |
| Lumen | 7196 - 8415 lm |
| Efficacy | 103 - 121 lm/W |
| Driver option | Integral control gear |
| Driver | Constant current (CC) |
| Input voltage | 220-240 V 50/60 Hz |
| Optic | T2, T3, T4, T5 |

| | |
|--------------------------|--|
| Optic value | 145°x87°, 141°x91°, 134°x118°, 145° |
| CCT / CRI | 3000K CRI80, 4000K CRI80 |
| Bug | B3-U2-G1, B3-U2-G3 |
| ULR | 1% |
| ULOR | 1% |
| CIE flux code n°3 | 93, 94, 96 |
| Dimming type | On/Off, 1-10V, DALI |
| Product colours | Black, Dark Grey, White, Matt Silver, Bronze, Concrete - Urban, Softscape - Urban, Stone - Urban, Corten - Urban, Oak - Woodland, Walnut - Woodland, Pine - Woodland |
| Weight | 11.3 kg |

| | |
|---------------------------------------|---|
| Operating temperature | -20 °C to 50 °C |
| Through wiring | Two cable entries for through wiring |
| Lens / Reflector / Optic | High-efficiency PMMA lens |
| MacAdam Ellipse | 3 SDCM |
| Lifetime L90B10 (hours) | > 50,700 |
| Lifetime L80B10 (hours) | > 63,500 |
| Lifetime L80B50 (hours) | > 63,500 |
| Variants (On/Off, 1-10V, DALI) | Compatible with EN/ IEC 60598-2-22: Suitable for emergency installations as central supply, non-maintained (Z0) |

FOR-30061



FORREY 23 (FOR-30061)

Accessory



DALI Control System
Control-DALI
