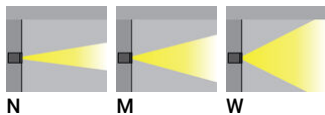


JANET 2 (JA-60811) (Version 1)**Product description**

Without remote box IP-rated - With remote driver /
recessing box - Constant current (CC) 700 mA

**Luminaire Structure**

- Stainless steel body in grade 316
- Single cable entry
- One cable gland supplied with 2 m of 2x1.0 sqmm outdoor cable
- Stainless steel fasteners in grade 316
- Durable silicone rubber gasket
- Clear toughened glass
- Remote driver (included)
- Remote box IP-rated is not included and is to be ordered separately for constant current (CC) products
- Recessing box in stainless steel 316 grade
- Luminaire must be submerged when operational
- Maximum depth 2 m
- Outdoor cable needs to be ordered with a specific length

Optic**Product colour**

00 - Stainless Steel

JANET 2 (JA-60811) (Version 1)

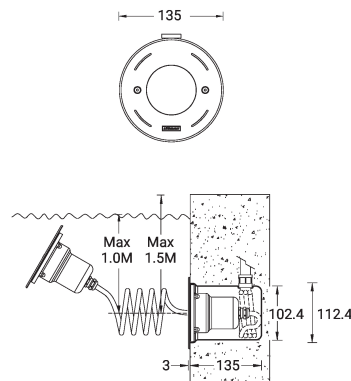
Technical information

Material	Stainless Steel
Light source	5 LED
Power	11 W
Lumen	1240 - 1726 lm
Efficacy	113 - 157 lm/W
Driver option	Remote driver (included)
Driver	Constant current (CC)
Input voltage	700 mA, 15 VDC

Optic	N, M, W
Optic value	23°, 34°, 42°
CCT / CRI	3000K CRI80, 4000K CRI80
Bug	B2-U0-G0
ULR	0%, <1%
ULOR	0%, <1%
CIE flux code n°3	100
Dimming type	On/Off, 1-10V

Product colours	Stainless Steel
Weight	1.6 kg
Operating temperature	-20 °C to 50 °C
Cable	One cable gland supplied with 2 m of 2x1.0 sqmm outdoor cable
Through wiring	Single cable entry
Lens / Reflector / Optic	Clear toughened glass

JA-60811



Accessory



DALI Control System
Control-DALI



Remote box IP65
A80291
