

ALDO 9 (ALD-30801)



Product description

Integral control gear - 50x140 mm - 1002 mm - Class I
- IK10

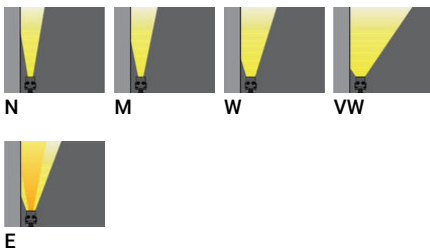


microPrim™

Luminaire Structure

- Powder coated aluminium alloy housing
- Adjustable aluminium extrusion bracket for ALD-30261, ALD-30262, ALD-30263, ALD-30264, ALD-30265, ALD-30266, ALD-30271, ALD-30272, ALD-30281, ALD-30282, ALD-30291, ALD-30292, ALD-30301, ALD-30302, ALD-30801
- Adjustable galvanised steel bracket for ALD-30241, ALD-30242, ALD-30243, ALD-30244, ALD-30251, ALD-30252, ALD-30253, ALD-30254, ALD-30255, ALD-30256
- Two cable entries for through wiring
- Two IP67 connectors supplied with 2x0.2 m of 3x1.0 sqmm outdoor cable
- Clear toughened glass
- Integral control gear
- Uniform light distribution with uninterrupted end-to-end mounting.
- For ALD-30001 not included 24 VDC input, DMXRDM address with stable signal

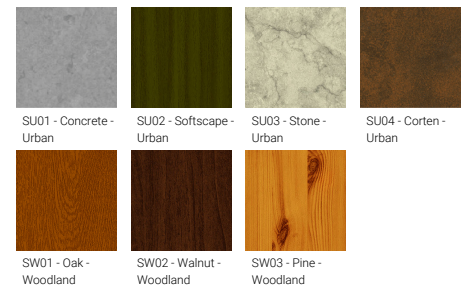
Optic



Product colour



Special finishes upon request



ALDO 9 (ALD-30801)

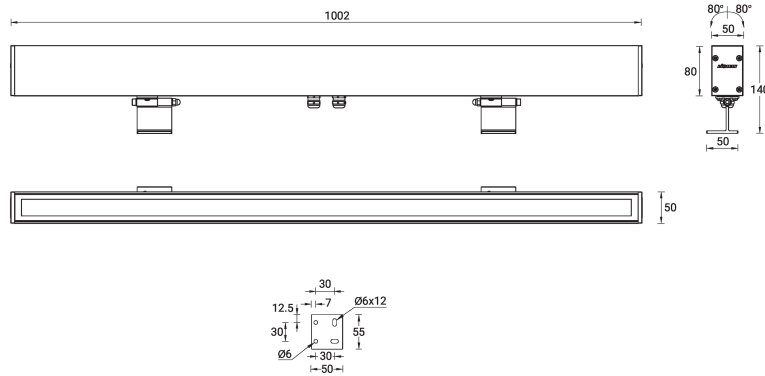
Technical information

Material	Aluminium
Light source	16 LED
Power	17 W
Lumen	1885 - 2534 lm
Efficacy	111 - 149 lm/W
Driver option	Integral control gear
Driver	Constant current (CC)
Input voltage	220-240V 50/60Hz

Optic	N, M, W, VW, E
Optic value	11°, 17°, 34°, 63°, 12°x 44°
CCT / CRI	3000K CRI80, 4000K CRI80
Bug	B2-U0-G0, B3-U0-G0
ULR	<1%
ULOR	<1%
CIE flux code n°3	100
Dimming type	On/Off, 1-10V, DALI

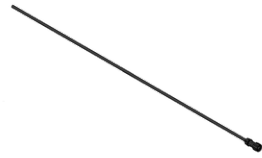
Product colours	Black, Dark Grey, White, Matt Silver, Bronze, Concrete - Urban, Softscape - Urban, Stone - Urban, Corten - Urban, Oak - Woodland, Walnut - Woodland, Pine - Woodland
Weight	4.5 kg
Operating temperature	-20 °C to 50 °C
Cable	Two IP67 connectors supplied with 2x0.2 m of 3x1.0 sqmm outdoor cable
Through wiring	Two cable entries for through wiring
Lens / Reflector / Optic	Clear toughened glass
Variants (On/Off, 1-10V, DALI)	Compatible with EN/ IEC 60598-2-22: Suitable for emergency installations as central supply, non-maintained (Z0)

ALD-30801



ALDO 9 (ALD-30801)**Accessory**

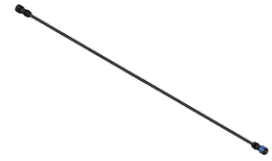
Cable - Connector IP67 Female 3
Pin Power - Length 1000 mm
A67791-001



Cable - Connector IP67 Female 3
Pin Power - Length 5000 mm
A67791-005



Cable - Connector IP67 Female +
Male 3 Pin Power - Length 1000
mm
A67891-001



Cable - Connector IP67 Female +
Male 3 Pin Power - Length 5000
mm
A67891-005



End cap - Connector IP67 Male 2
Pin and 3 Pin Power
A68091



Connector IP67 Male 3 Pin
Power
A67691



Connector IP67 Female 3 Pin
Power
A67491