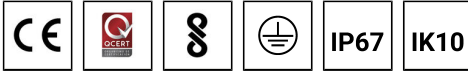


MASK 2 (MK-60259)



Product description

With recessing box / driver - Optic 90°x90°



microPrim™

Luminaire Structure

- Die-cast aluminium housing and frame
- Pre-treated before powder coating ensuring high corrosion resistance
- Single cable entry, through wiring upon request
- One cable gland supplied with 1 m of 3x1.0 sqmm outdoor cable
- Stainless steel fasteners in grade 316

- Durable silicone rubber gasket
- High-efficiency glass lens
- Integral control gear
- Recessing box in high-density polyethylene is included
- To ensure efficient drainage, gravel must be used to a depth of 450 mm and width of 300 mm beneath the housing and should also be placed around luminaire

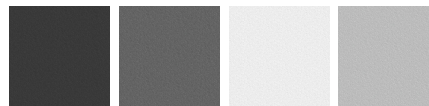
- Suitable for drive-over with a maximum load of 4,000 kg for MK-60249, MK-60259, 2,000 kg for MK-60269, 1,000 kg for MK-60729
- Vehicles with pneumatic tires can drive over the luminaire but the speed must not exceed 10 km/h
- Load is transferred by the housing to the foundation

Optic



G

Product colour

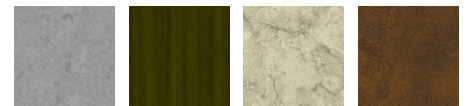


01 - Black (RAL 9011) 02 - Dark Grey (RAL 7043) 03 - White (RAL 9003) 05 - Matt Silver (RAL 9006)



06 - Bronze (RAL 6014)

Special finishes upon request



SU01 - Concrete - Urban SU02 - Softscape - Urban SU03 - Stone - Urban SU04 - Corten - Urban



SW01 - Oak - Woodland SW02 - Walnut - Woodland SW03 - Pine - Woodland

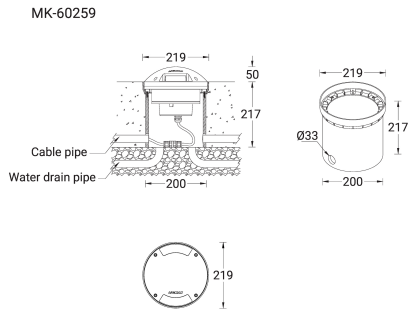
MASK 2 (MK-60259)

Technical information

| | |
|----------------------|-----------------------|
| Material | Aluminium |
| Light source | 2 COB |
| Power | 8 W |
| Lumen | 202 - 220 lm |
| Efficacy | 25 - 28 lm/W |
| Driver option | Integral control gear |
| Driver | Constant current (CC) |

| | |
|------------------------|--|
| Input voltage | 220-240 V 50/60 Hz |
| Optic | G |
| Optic value | 90° / 90° |
| CCT / CRI | 3000K CRI80, 4000K CRI80 |
| Dimming type | On/Off, 1-10V, DALI |
| Product colours | Black, Dark Grey, White, Matt Silver, Bronze, Concrete - Urban, Softscape - Urban, Stone - Urban, Corten - Urban, Oak - Woodland, Walnut - Woodland, Pine - Woodland |
| Weight | 4.5 kg |

| | |
|---------------------------------------|---|
| Operating temperature | -20 °C to 40 °C |
| Cable | One cable gland supplied with 1 m of 3x1.0 sqmm outdoor cable |
| Through wiring | Single cable entry, through wiring upon request |
| Lens / Reflector / Optic | High-efficiency glass lens |
| MacAdam Ellipse | 3 SDCM |
| Lifetime L90B10 (hours) | > 50,000 |
| Variants (On/Off, 1-10V, DALI) | Compatible with EN/ IEC 60598-2-22: Suitable for emergency installations as central supply, non-maintained (Z0) |



MASK 2 (MK-60259)

Accessory



DALI Control System
Control-DALI
