

MARVIK 4 (MV-30031) (Version 2)



Product description

Ø75 - 200 mm - Down (Optic) & Up (Optic 2nd)

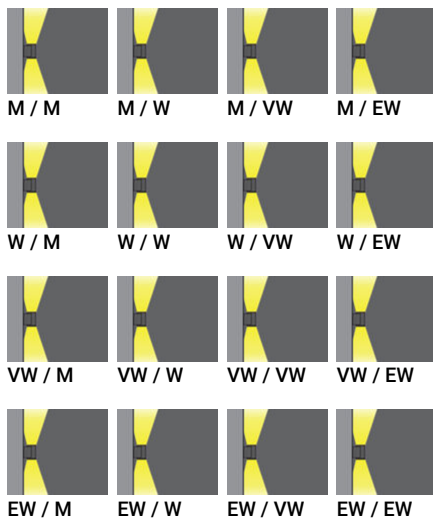


microPrim™

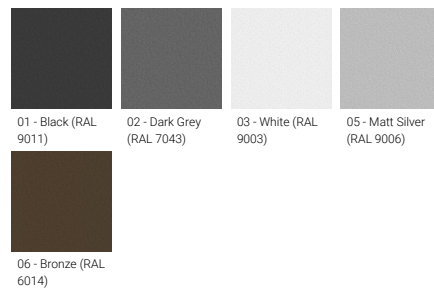
Luminaire Structure

- Die-cast aluminium housing and frame
- Pre-treated before powder coating ensuring high corrosion resistance
- Single cable entry
- Stainless steel fasteners in grade 304 with zinc flake coating (ZFC)
- Durable silicone rubber gasket
- High-efficiency optical reflector
- Clear toughened glass
- Integral control gear
- Optional surface mounting box for easy wiring or conduit connection when wiring from behind is not possible
- MARVIK luminaires with uplight and colder than 3000K CCT do not meet the IDA certification requirements

Optic



Product colour



Special finishes upon request



MARVIK 4 (MV-30031) (Version 2)

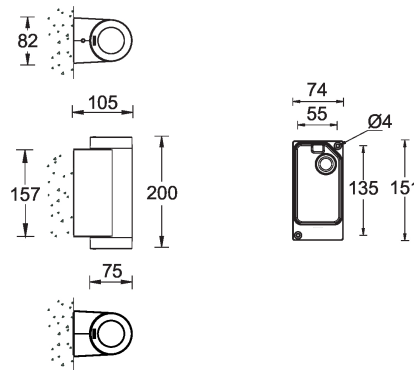
Technical information

Material	Aluminium
Light source	1 & 1 COB
Power	20 W
Lumen	1998 - 2278 lm
Efficacy	100 - 114 lm/W
Driver option	Integral control gear
Driver	Constant current (CC)
Input voltage	220-240 V 50/60 Hz
Optic	M, W, VW, EW

Optic value	27°, 32°, 45°, 70°
Optic (2nd)	M, W, VW, EW
Optic (2nd) value	27°, 32°, 45°, 70°
CCT / CRI	2700K CRI80, 3000K CRI80, 4000K CRI80
Bug	B1-U5-G0
ULR	49%, 50%
ULOR	49%, 50%
Dimming type	On/Off, 1-10V, DALI
Product colours	Black, Dark Grey, White, Matt Silver, Bronze, Concrete - Urban, Softscape - Urban, Stone - Urban, Corten - Urban, Oak - Woodland, Walnut - Woodland, Pine - Woodland

Weight	1.7 kg
Operating temperature	-20 °C to 40 °C
Through wiring	Single cable entry
Lens / Reflector / Optic	High-efficiency optical reflector, Clear toughened glass
MacAdam Ellipse	3 SDCM
Lifetime L90B10 (hours)	> 61,000
Variants (On/Off, 1-10V, DALI)	Compatible with EN/ IEC 60598-2-22: Suitable for emergency installations as central supply, non-maintained (Z0)

MV-30031



MARVIK 4 (MV-30031) (Version 2)**Accessory**



Surface mounting box for easy
cabling (MARVIK 4)
SCE-MARVIK-4



DALI Control System
Control-DALI
