

VANCOUVER 5 (VA-20021)



Product description

240x240 mm - 4070 mm - Decorative pattern type 1
(Optic) - 1 projector (Optic 2nd) IP65

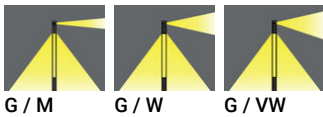


LIGHT CONNECT™ microPrim™

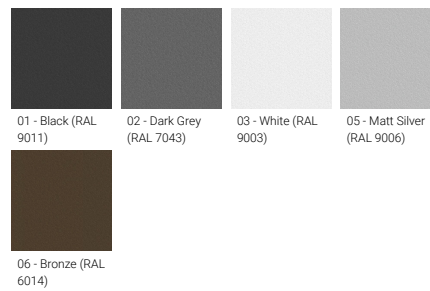
Luminaire Structure

- Die-cast aluminium housing
- Extruded aluminium column
- Pre-treated before powder coating ensuring high corrosion resistance
- Single cable entry
- One IP68 connector supplied with 0.3 m of 3x1.0 sqmm outdoor cable
- Stainless steel fasteners in grade 304 with zinc flake coating (ZFC)
- Durable silicone rubber gasket
- High-efficiency optical reflector
- Clear toughened glass
- Integral control gear
- Maximum wind load resistance is 160 km/h
- Surge protection 10kV
- VANCOUVER luminaires with projectors on top and colder than 3000K CCT do not meet the IDA certification requirements

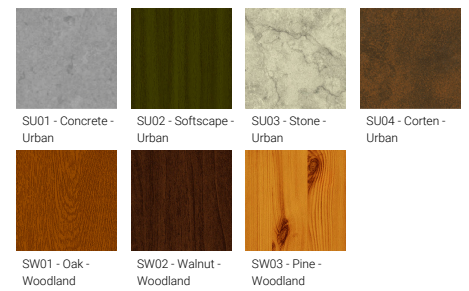
Optic



Product colour



Special finishes upon request



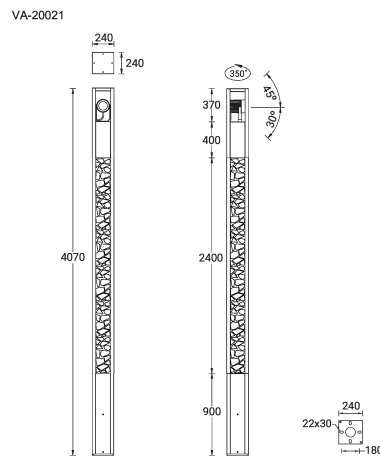
VANCOUVER 5 (VA-20021)

Technical information

| | |
|----------------------|---------------------------|
| Material | Aluminium |
| Light source | 1 COB & 1 COB (Projector) |
| Power | 61 W |
| Lumen | 2901 - 3024 lm |
| Efficacy | 48 - 50 lm/W |
| Driver option | Integral control gear |
| Driver | Constant current (CC) |
| Input voltage | 220-240 V 50/60 Hz |
| Optic | G |
| Optic value | 64° |

| | |
|--------------------------|--|
| Optic (2nd) | M, W, VW |
| Optic (2nd) value | 23°, 32°, 43° |
| CCT / CRI | 3000K CRI80, 4000K CRI80 |
| Bug | B2-U0-G0, B2-U2-G0 |
| ULR | 2% |
| ULOR | 2% |
| CIE flux code n°3 | 100, 99 |
| Dimming type | On/Off, 1-10V, DALI |
| Product colours | Black, Dark Grey, White, Matt Silver, Bronze, Concrete - Urban, Softscape - Urban, Stone - Urban, Corten - Urban, Oak - Woodland, Walnut - Woodland, Pine - Woodland |
| Weight | 52.4 kg |

| | |
|---------------------------------------|---|
| Operating temperature | -20 °C to 40 °C |
| EPA (m2) | 0.977 |
| Cable | One IP68 connector supplied with 0.3 m of 3x1.0 sqmm outdoor cable |
| Through wiring | Single cable entry |
| Lens / Reflector / Optic | High-efficiency optical reflector, Clear toughened glass |
| MacAdam Ellipse | 3 SDCM |
| Lifetime L90B10 (hours) | > 50,700 |
| Lifetime L80B10 (hours) | > 63,500 |
| Lifetime L80B50 (hours) | > 63,500 |
| Variants (On/Off, 1-10V, DALI) | Compatible with EN/ IEC 60598-2-22: Suitable for emergency installations as central supply, non-maintained (Z0) |



VANCOUVER 5 (VA-20021)

Accessory



Circuit breaker box IP44
A21291



Root mount kit
A21391



DALI Control System
Control-DALI