

LEEDS WEDGE 3 (LEW-30021)



Product description

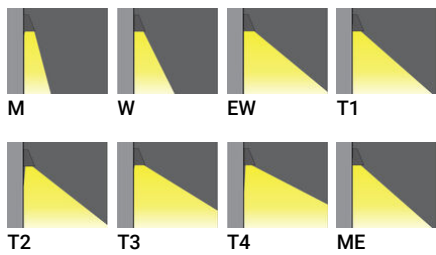
Large



Luminaire Structure

- Die-cast aluminium housing and frame
- Pre-treated before powder coating ensuring high corrosion resistance
- Single cable entry, through wiring upon request
- Stainless steel fasteners in grade 304 with zinc flake coating (ZFC)
- Durable silicone rubber gasket
- Clear toughened glass
- High-efficiency PMMA lens
- Integral control gear
- Optional surface mounting box for easy wiring or conduit connection when wiring from behind is not possible

Optic



Product colour



Special finishes upon request



LEEDS WEDGE 3 (LEW-30021)

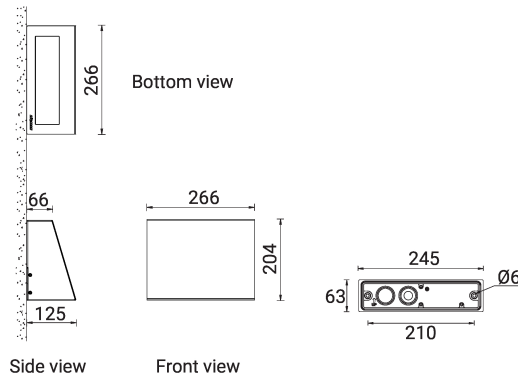
Technical information

Material	Aluminium
Light source	12 LED
Power	20 W
Lumen	1846 - 2491 lm
Efficacy	92 - 131 lm/W
Driver option	Integral control gear
Driver	Constant current (CC)
Input voltage	220-240 V 50/60 Hz
Optic	M, W, EW, T1, T2, T3, T4, ME

Optic value	30°, 56°, 110°x103°, 145°x73°, 137°x58°, 124°x67°, 108°x67°, 141°x62°
CCT / CRI	3000K CRI80, 4000K CRI80
Bug	B1-U0-G0, B1-U0-G1, B1-U1-G1, B2-U0-G0
ULR	<1%
ULOR	<1%
CIE flux code n°3	100, 97, 98, 99
Dimming type	On/Off, 1-10V, DALI
Product colours	Black, Dark Grey, White, Matt Silver, Bronze, Concrete - Urban, Softscape - Urban, Stone - Urban, Corten - Urban, Oak - Woodland, Walnut - Woodland, Pine - Woodland
Weight	1.8 kg

Operating temperature	-20 °C to 50 °C
Through wiring	Single cable entry, through wiring upon request
Lens / Reflector / Optic	Clear toughened glass, High-efficiency PMMA lens
MacAdam Ellipse	3 SDCM
Lifetime L90B10 (hours)	> 90,000
Lifetime L80B10 (hours)	> 90,000
Lifetime L80B50 (hours)	> 90,000
Variants (On/Off, 1-10V, DALI)	Compatible with EN/ IEC 60598-2-22: Suitable for emergency installations as central supply, non-maintained (Z0)

LEW-30021



LEEDS WEDGE 3 (LEW-30021)

Accessory



DALI Control System
Control-DALI
