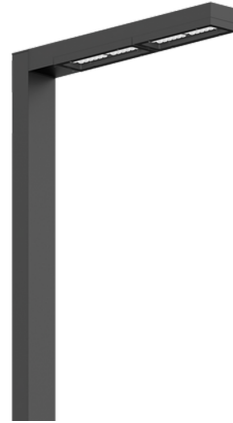


LIGHT LINEAR PT 4 (LI-21172)



Product description

1 side - Supplied with specific square, straight aluminium pole - Height options: 3 - 6 m



Luminaire Structure

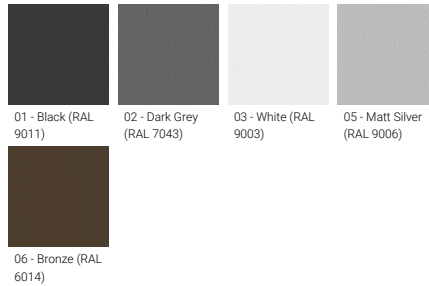
- Die-cast aluminium housing
- Extruded aluminium column
- Pre-treated before powder coating ensuring high corrosion resistance
- Single cable entry
- Stainless steel fasteners in grade 304 with zinc flake coating (ZFC)
- Durable silicone rubber gasket
- Clear toughened glass
- High-efficiency polycarbonate lens
- Integral control gear
- Maximum wind load resistance is 100 km/h
- Surge protection 10kV

Optic



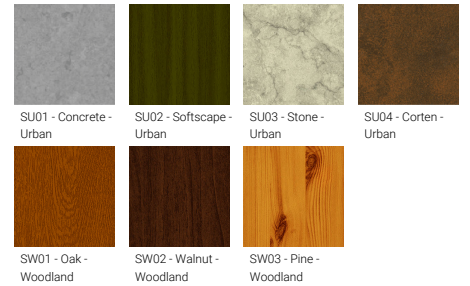
T2 T3 T4

Product colour



01 - Black (RAL 9011) 02 - Dark Grey (RAL 7043) 03 - White (RAL 9003) 05 - Matt Silver (RAL 9006)
06 - Bronze (RAL 6014)

Special finishes upon request



SU01 - Concrete - Urban SU02 - Softscape - Urban SU03 - Stone - Urban SU04 - Corten - Urban
SW01 - Oak - Woodland SW02 - Walnut - Woodland SW03 - Pine - Woodland

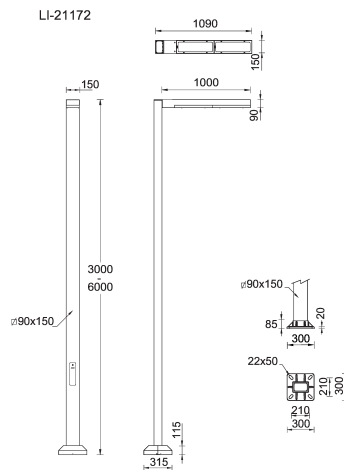
LIGHT LINEAR PT 4 (LI-21172)

Technical information

Material	Aluminium
Light source	4 x 12 LED
Power	105 W
Lumen	11818 - 13550 lm
Efficacy	113 - 129 lm/W
Driver option	Integral control gear
Driver	Constant current (CC)
Input voltage	220-240 V 50/60 Hz
Optic	T2, T3, T4, ME

Optic value	52°x138°, 72°x124°, 68°x110°, 56°x134°
CCT / CRI	2700K CRI80, 3000K CRI80, 4000K CRI80
Bug	B3-U1-G3
ULR	<1%
ULOR	<1%
CIE flux code n°3	97, 98
Dimming type	On/Off, 1-10V, DALI
Product colours	Black, Dark Grey, White, Matt Silver, Bronze, Concrete - Urban, Softscape - Urban, Stone - Urban, Corten - Urban, Oak - Woodland, Walnut - Woodland, Pine - Woodland
Weight	31.5 kg

Operating temperature	-20 °C to 50 °C
EPA (m2)	0.090
Through wiring	Single cable entry
Lens / Reflector / Optic	Clear toughened glass, High-efficiency polycarbonate lens
MacAdam Ellipse	3 SDCM
Lifetime L90B10 (hours)	> 90,000
Lifetime L80B10 (hours)	> 90,000
Lifetime L80B50 (hours)	> 90,000



LIGHT LINEAR PT 4 (LI-21172)

Accessory



Motion sensor - PIR - 1-10V - Up to 3 m
A90191-L2



Motion sensor - PIR - 1-10V - Up to 6 m
A90191-L3



Motion sensor - PIR - 1-10V - Up to 12 m
A90191-L7



Root mount kit
A20891



Circuit breaker box IP44
A21291



Internal cable support for pole 3 m
A23991



Internal cable support for pole 4 m
A24091



Internal cable support for pole 5 m
A24191



Internal cable support for pole 6 m
A24291



Remote controller for the motion sensor - 1-10V (A90191)
A90791



DALI Control System
Control-DALI

Pole (required)



3 m - Square, straight aluminium pole for LIGHT LINEAR PT - 1 side
APC130090-PT4-LI-21172



4 m - Square, straight aluminium pole for LIGHT LINEAR PT - 1 side
APC140090-PT4-LI-21172



5 m - Square, straight aluminium pole for LIGHT LINEAR PT - 1 side
APC150090-PT4-LI-21172



6 m - Square, straight aluminium pole for LIGHT LINEAR PT - 1 side
APC160090-PT4-LI-21172