

POWERVISION 6 (PW69-GP108)



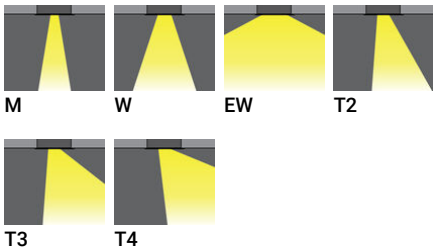
Luminaire Structure

- Extruded aluminium housing
- Pre-treated before powder coating ensuring high corrosion resistance
- Thermal heat dissipation body
- Single cable entry, through wiring upon request

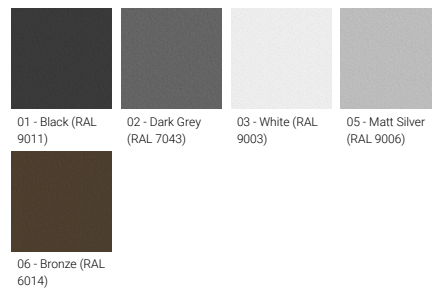
- One IP68 connector supplied with 0.2 m of 3x1.0 sqmm outdoor cable
- Stainless steel fasteners in grade 304 with zinc flake coating (ZFC)
- Durable silicone rubber gasket
- Clear toughened glass

- Integral control gear

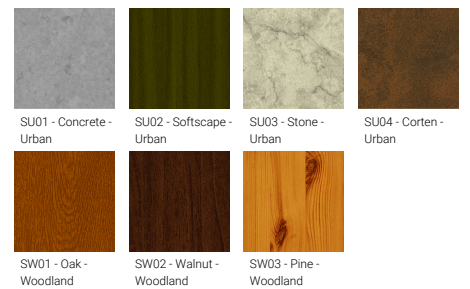
Optic



Product colour



Special finishes upon request

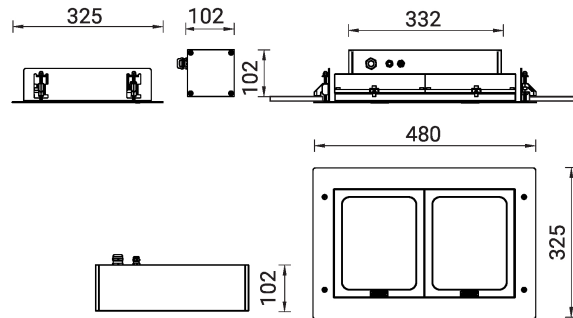


POWERVISION 6 (PW69-GP108)

Technical information

Material	Aluminium	Optic	M, W, EW, T2, T3, T4	Through wiring	Single cable entry, through wiring upon request
Light source	48 LED	Optic value	27°, 51°, 122°, 141°x52°, 141°x69°, 99°x79°	Lens / Reflector / Optic	Clear toughened glass
Power	106 W	CCT / CRI	3000K CRI80, 4000K CRI80	MacAdam Ellipse	3 SDCM
Lumen	11561 - 13310 lm	Dimming type	On/Off, 1-10V, DALI	Lifetime L90B10 (hours)	> 90,000
Efficacy	109 - 126 lm/W	Product colours	Black, Dark Grey, White, Matt Silver, Bronze, Concrete - Urban, Softscape - Urban, Stone - Urban, Corten - Urban, Oak - Woodland, Walnut - Woodland, Pine - Woodland	Lifetime L80B10 (hours)	> 90,000
Driver option	Integral control gear			Lifetime L80B50 (hours)	> 90,000
Driver	Constant current (CC)	Weight	11.0 kg	Variants (On/Off, 1-10V, DALI)	Compatible with EN/ IEC 60598-2-22: Suitable for emergency installations as central supply, non-maintained (Z0)
Input voltage	220-240 V 50/60 Hz	Operating temperature	-20 °C to 40 °C		
		Cable	One IP68 connector supplied with 0.2 m of 3x1.0 sqmm outdoor cable		

PW69-GP108



POWERVISION 6 (PW69-GP108)**Accessory**



DALI Control System
Control-DALI
