

**VANCOUVER 19** (VA-20142)



**Product description**

240x240 mm - 4400 mm - Decorative pattern type 3  
(Optic) - 2 projectors (Optic 2nd ) IP66 - RGBW

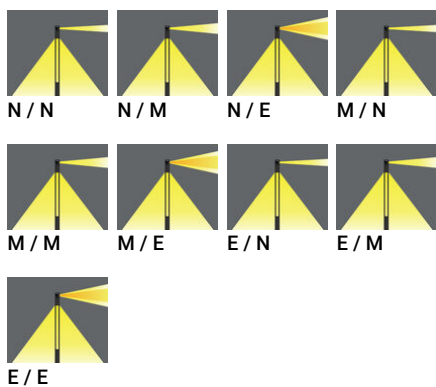


microPrim™

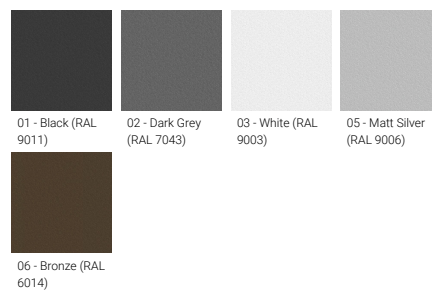
**Luminaire Structure**

- Die-cast aluminium housing
- Extruded aluminium column
- Pre-treated before powder coating ensuring high corrosion resistance
- Single cable entry
- One IP68 connector supplied with 0.3 m of 5x1.5 sqmm outdoor cable
- Stainless steel fasteners in grade 304 with zinc flake coating (ZFC)
- Durable silicone rubber gasket
- High-efficiency polycarbonate lens
- Clear toughened glass
- Integral control gear
- Maximum wind load resistance is 160 km/h
- Surge protection 10kV
- VANCOUVER luminaires with projectors on top and colder than 3000K CCT do not meet the IDA certification requirements

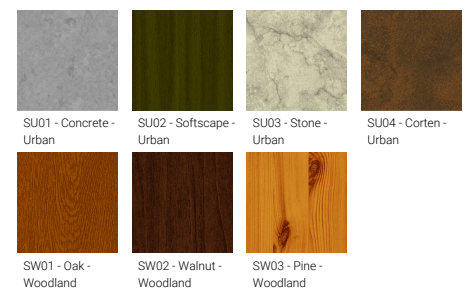
**Optic**



**Product colour**



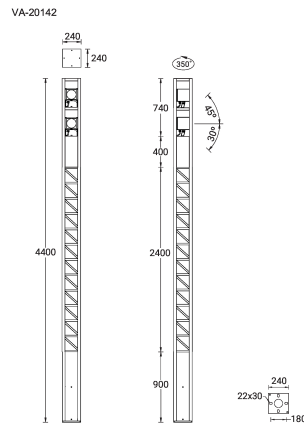
**Special finishes upon request**



**VANCOUVER 19** (VA-20142)

**Technical information**

<b>Material</b>	Aluminium	<b>Optic value</b>	18°, 30°, 34°x21°	<b>EPA (m2)</b>	1.066
<b>Light source</b>	7 LED & 2 x 7 LED (Projectors)	<b>Optic (2nd)</b>	N, M, E	<b>Cable</b>	One IP68 connector supplied with 0.3 m of 5x1.5 sqmm outdoor cable
<b>Power</b>	99 W	<b>Optic (2nd) value</b>	21°, 35°, 48°x26°	<b>Through wiring</b>	Single cable entry
<b>Lumen</b>	2812 - 3821 lm	<b>CCT / CRI</b>	RGBW30, RGBW40	<b>Lens / Reflector / Optic</b>	High-efficiency polycarbonate lens, Clear toughened glass
<b>Efficacy</b>	28 - 39 lm/W	<b>Bug</b>	B1-U0-G0	<b>Lifetime L90B10 (hours)</b>	> 15,000
<b>Driver option</b>	Integral control gear	<b>Dimming type</b>	DMX, DMX/RDM	<b>Lifetime L80B10 (hours)</b>	> 31,000
<b>Driver</b>	Constant current (CC)	<b>Product colours</b>	Black, Dark Grey, White, Matt Silver, Bronze, Concrete - Urban, Softscape - Urban, Stone - Urban, Corten - Urban, Oak - Woodland, Walnut - Woodland, Pine - Woodland	<b>Lifetime L80B50 (hours)</b>	> 34,000
<b>Input voltage</b>	220-240 V 50/60 Hz		<b>Weight</b>	62.7 kg	<b>Variants (DMX/RDM)</b>
<b>Optic</b>	N, M, E	<b>Operating temperature</b>	-20 °C to 40 °C		



**VANCOUVER 19** (VA-20142)**Accessory**

---



Circuit breaker box IP44  
**A21291**



Root mount kit  
**A21391**



DMX Control System  
**Control-DMX**



DMX/RDM Control System  
**Control-DMX-RDM**